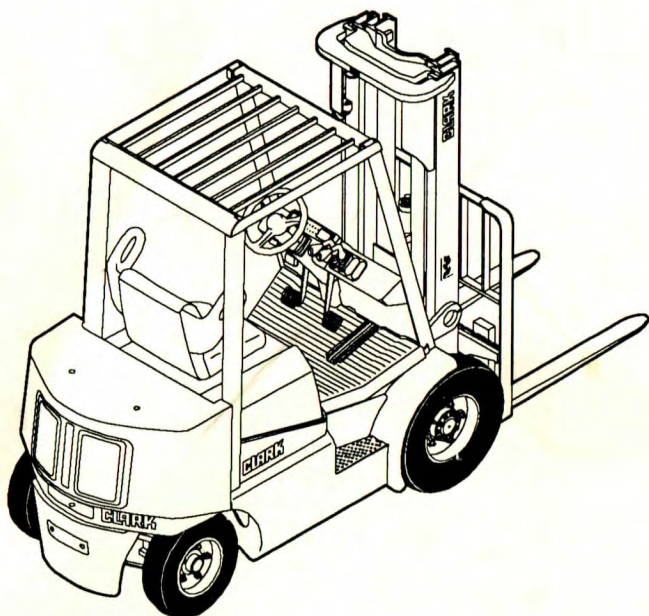


Operator's Manual (Hydrostatic)

Do not remove this manual
from the truck.



CGC 20-30H • CGP 20-30H • CDP 20-30H

CLARK

Book No. 2807083
OM-602

Record the following information pertaining to your truck.

Model No. _____

Serial No. _____

Customer Truck Identification No. _____

Truck Weight, Empty _____

Truck Rated Capacity _____

Truck Gross Weight _____

Truck Gross Weight, Loaded w/ Rated Load _____

Special Equipment or Attachments _____

IMPORTANT

Do not expose this manual to hot water or steam.

Operator's Manual

You must be trained and authorized to operate a lift truck.

YOU can prevent accidents

First: Learn safe operating rules and your company rules.

Next: Read your Operator's Manual. If you do not understand it, ask your supervisor for help.

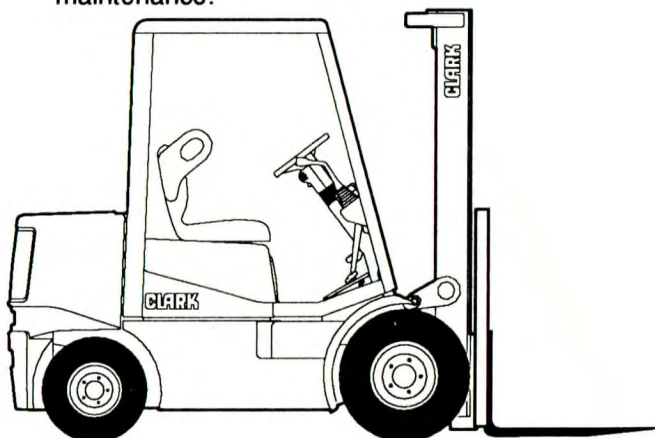
Learn about the unit you operate.



KNOW YOUR TRUCK

Then: Practice operating your truck safely.

And: Keep your truck in safe operating condition with correct and timely maintenance.



Breaking these rules will cause serious or fatal injury to yourself and others

A Message to CLARK Lift Truck Operators


Lift trucks are specialized machines with unique operating characteristics, designed to perform a specific job. Their function and operation is not like a car or ordinary truck. They require specific instructions and rules for safe operation and maintenance.

Safe operation of lift trucks is of primary importance to CLARK. Our experience with lift truck accidents has shown that when accidents happen and people are killed or injured, the causes are:

- **Operator not properly trained**
- **Operator not experienced with lift truck operation**
- **Basic safety rules not followed**
- **Lift truck not maintained in safe operating condition**

For these reasons, CLARK wants you to know about the safe operation and correct maintenance of your lift truck.

This manual is designed to help you operate your lift truck safely. This manual shows and tells you about safety inspections and the important general safety rules and hazards of lift truck operation. It describes the special components and features of the truck and explains their functions. The correct operating procedures are shown and explained. Illustrations and important safety messages are included for clear understanding. A Section on maintenance and lubrication is included for the lift truck mechanic.



The operator's manual is not a training manual. It is a guide to help trained and authorized operators safely operate their lift truck by emphasizing and illustrating the correct procedures. However, it cannot cover every possible situation that may result in an accident. You must watch for hazards in your work areas and avoid or correct them. It is important that you know and understand the information in this manual and that you know and follow your company safety rules! Be sure that your equipment is maintained in a safe condition. Do not operate a damaged or malfunctioning truck. Practice safe operation every time you use your lift truck. Let's join together to set high standards in safety.

Remember, before you start operating this lift truck, be sure you understand all driving procedures. It is your responsibility, and it is important to you and your family, to operate your lift truck safely and efficiently.

IMPORTANT

Be aware that the Federal Occupational Safety and Health Act (OSHA) and state laws require that operators be completely trained in the safe operation of lift trucks; It is also an (OSHA) requirement that a machine inspection be performed before every shift. If you think you need training in operating or inspecting your lift truck, ask your supervisor.

CLARK lift trucks are built to take hard work, but not abuse. They are built to be dependable, but they are only as safe and efficient as the operator and the persons responsible for maintaining them. Do not make any repairs to this truck unless you have been trained in safe lift truck repair procedures and are authorized by your employer.



Contents of this Manual

This manual covers trucks with capacities from 4,000 lbs (2,000 kg) through 6,000 lbs (3,000 kg).

A Message to CLARK Lift Truck Operators	ii
Introduction	vi
How to Use this Manual	viii
Safety Signs and Safety Messages	x
Section 1. General Safety Rules	1-1
Section 2. Operating Hazards	2-1
Section 3. Know Your Truck	3-1
Section 4. Operator Maintenance and Care	4-1
Section 5. Starting and Operating Procedures	5-1
Section 6. Emergency Towing and Starting	6-1
Section 7. Planned Maintenance	8-1
Section 8. Specifications	9-1
Index	Index-1

Introduction

CLARK welcomes you to the growing group of professionals who own, operate, and maintain CLARK lift trucks. We take pride in the long tradition of quality products and superior value the CLARK name represents. This manual familiarizes you with safety, operating, and maintenance information about your new lift truck. It has been specially prepared to help you use and maintain your CLARK lift truck in a safe and correct manner.

Your CLARK lift truck has been designed and built to be as safe and efficient as today's technology can make it. As manufactured, it meets all the applicable mandatory requirements of ANSI B56.1 Safety Standard for Low Lift and High Lift Trucks. Each truck is also furnished with equipment to help you operate safely; for example, load back rest, parking brake and horn are standard equipment.

Safe, productive operation of a lift truck requires both skill and knowledge on the part of the operator. The operator must know, understand, and practice the safety rules and safe driving and load handling techniques described in this manual. To develop the skill required, the operator must become familiar with the construction and features of the lift truck and how they function. The operator must understand its capabilities and limitations, and see that it is kept in a safe condition.

Routine Servicing and Maintenance

Regular maintenance and care of your lift truck is not only important for economy and utilization reasons; it is essential for your safety. A faulty lift truck is a potential source of danger to the operator, and to other personnel working near it. As with all quality equipment, keep your lift truck in good operating condition by following the recommended schedule of maintenance.

Operator Daily Inspection — Safety and Operating Checks

A lift truck should always be examined by the operator, before driving, to be sure it is safe to operate. The importance of this procedure is emphasized in this manual with a brief illustrated review and later with more detailed instructions. CLARK dealers can supply copies of a helpful "Drivers Daily Checklist." It is an OSHA requirement.

Planned Maintenance

In addition to the daily operator inspection, CLARK recommends that a planned maintenance and safety inspection program (PM) be performed by a trained and authorized mechanic on a regular basis. The PM will provide an opportunity to make a thorough inspection of the safety and operating condition of your lift truck. Necessary adjustments and repairs can be done during the PM, which will increase the life of components and reduce unscheduled downtime and increase safety. The PM can be scheduled to meet your particular application and lift truck usage.

The procedures for a periodic planned maintenance program that covers inspections, operational checks, cleaning, lubrication, and minor adjustments are outlined in this manual. Your CLARK dealer is prepared to help you with a Planned Maintenance Program by trained service personnel who know your lift truck and can keep it operating safely and efficiently.

Service Manual

In-depth service information for trained service personnel is found in *Service Manual SM598*

How to Use this Manual

This manual is a digest of essential information about the safe operation, the features and functions and explains how to maintain your lift truck. This manual is organized into eight major parts:

Section 1, General Safety Rules, reviews and illustrates accepted practices for safe operation of a lift truck.

Section 2, Operating Hazards, warns of conditions that could cause damage to the truck or injury to the operator or other personnel.

Section 3, Know Your Truck, describes the major operating components, systems, controls, and other features of your truck and tells how they function.

Section 4, Operator Maintenance and Care, presents details on how to perform the operator's daily safety inspection and refuel the lift truck.

Section 5, Starting and Operating Procedures, discusses specific instructions on the safe, efficient operation of your lift truck.

Section 6, Emergency Towing and Starting, gives instructions for towing your truck in an emergency and for using battery jumper cables to start your truck in an emergency.

Section 7, Planned Maintenance, describes the PM program.

Section 8, Specifications, provides reference information and data on features, components, and maintenance items.

Also, the **Index** helps you locate information about various topics.

NOTICE: The descriptions and specifications included in this manual were in effect at the time of printing. CLARK Material Handling Company reserves the right to make improvements and changes in specifications or design, without notice and without incurring obligation. Please check with your authorized CLARK dealer for information on possible updates or revisions.

The examples, illustrations, and explanations in this manual should help you improve your skill and knowledge as a professional lift truck operator and take full advantage of the capabilities and safety features of your new lift truck.

The first Section of the manual is devoted to a review, with illustrations and brief messages, of general safety rules and the major operating hazards you can encounter while operating a lift truck. Next, you will find descriptions of the components of your specific lift truck model and how the instruments, gauges, and controls operate. Then, you will find a discussion of safe and efficient operating procedures, followed by instructions on how to tow a disabled lift truck. The later sections of the manual are devoted to maintenance and truck specifications.

Take time to carefully read the “Know Your Truck” section. By acquiring a good basic understanding of your truck's features, and how they function, you are better prepared to operate it both efficiently and safely.

In “Planned Maintenance,” you will find essential information for correct servicing and periodic maintenance of your truck, including charts with recommended maintenance intervals and component capacities. Carefully follow these instructions and procedures.

Each major Section has its own table of contents, so that you can find the various topics more easily. If you cannot find a topic in the table of contents, check the index at the back of the manual.

We urge you to first carefully read the manual from cover to cover. Take time to read and understand the information on general safety rules and operating hazards. Acquaint yourself with the various procedures in this manual. Understand how all gauges, indicator lights, and controls function. Please contact your authorized CLARK dealer for the answers to any questions you may have about your lift truck's features, operation, or manuals.

Operate your lift truck safely; careful driving is your responsibility. Drive defensively and think about the safety of people who are working nearby. Know your truck's capabilities and limitations. Follow all instructions in this manual, including all IMPORTANT, CAUTION, WARNING, and DANGER messages to avoid damage to your lift truck or the possibility of any harm to yourself or others.

This manual is intended to be a permanently attached part of your lift truck. Keep it on the truck as a ready reference for anyone who may drive or service it. **If the truck you operate is not equipped with a manual, ask your supervisor to obtain one and have it attached to the truck.** And, remember, your CLARK dealer is pleased to answer any questions about the operation and maintenance of your lift truck and will provide you with additional information should you require it.

Safety Signs and Safety Messages

Improper operation can cause accidents. Don't take chances with incorrect or damaged equipment. **Read and understand** the procedures for safe driving and maintenance outlined in this manual. Don't hesitate to ask for help. **Stay alert!** Follow safety rules, regulations, and procedures. Avoid accidents by recognizing dangerous procedures or situations before they occur. **Drive and work safely** and follow the safety signs and their messages on the truck and in this manual.

Safety signs and messages are placed in this manual and on the truck to provide instructions and identify specific areas where potential hazards exist and special precautions should be taken. Know and understand the meaning of these instructions, signs, and messages. Damage to the truck, death, or serious injury to you or other persons may result if these messages are not followed. If warning decals are damaged, they must be replaced. Contact your CLARK dealer for replacements.

NOTICE

This message is used when special information, instructions or identification are required relating to procedures, equipment, tools, pressures, capacities and other special data.

IMPORTANT

This message is used when special precautions should be taken to ensure a correct action or to avoid damage to or malfunction of the truck or a component.



CAUTION

This message is a reminder of safety practices that can result in personal injury if proper precautions are not taken.



WARNING

This message indicates a hazard exists that can result in injury or death if proper precautions are not taken.



DANGER

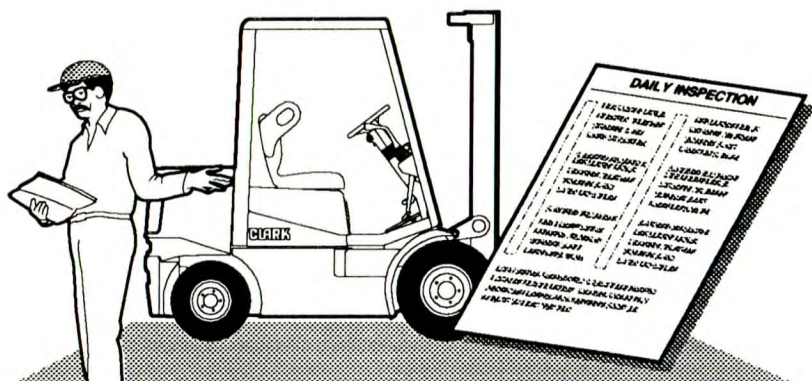
This message is used when an extreme hazard exists.

General Safety Rules

Contents

Daily Inspection	1-2
Do's and Don'ts	1-3
Seat Belts	1-4
No Riders	1-5
Pedestrians	1-6
Operator Protection	1-7
Fork Safety	1-8
Pinch Points	1-9
Travel	1-10
Grades, Ramps, Slopes, and Inclines	1-11
Tip Over	1-12
Surface and Capacity	1-14
Parking	1-15

Daily Inspection



OSHA requires at the beginning of each shift, inspect your truck and fill out a daily inspection sheet.

Check for damage and maintenance problems.

Have repairs made before you operate the truck.



Do not make repairs yourself. Lift truck mechanics are trained professionals. They know how to make repairs safely. (See Section 4)

Do's and Don'ts



Don't mix drugs or alcohol with your job.

Do watch for pedestrians.



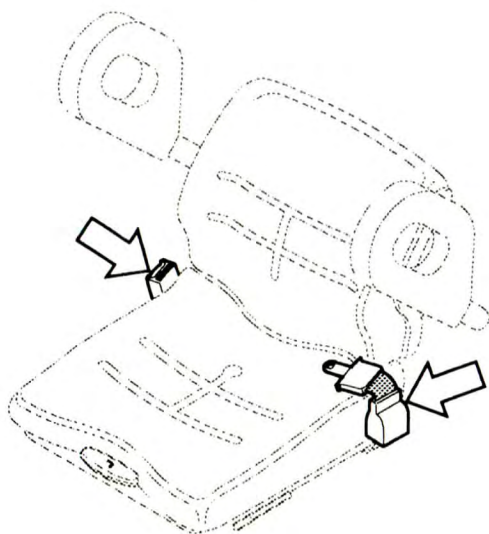
Don't block safety or emergency equipment.

Do wear safety equipment when required.

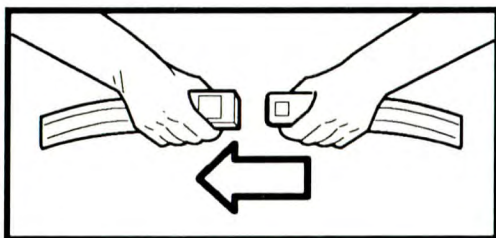


Don't smoke in "NO SMOKING" areas or when refueling.

Seat Belts

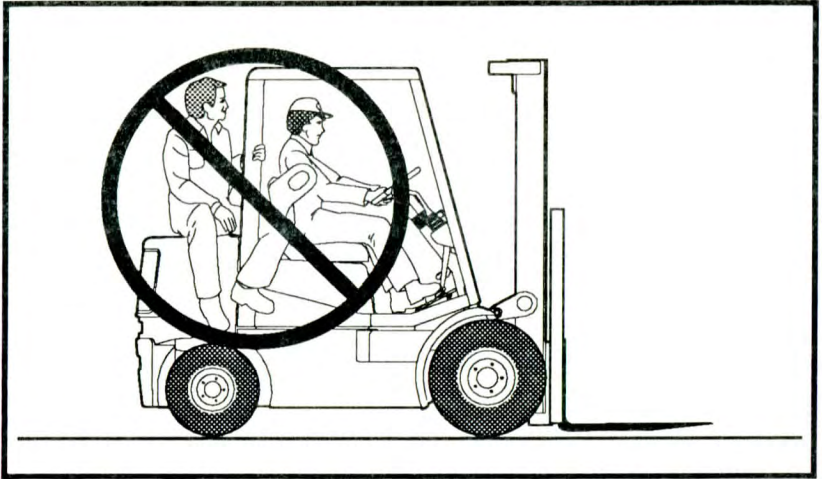


ALWAYS BUCKLE UP

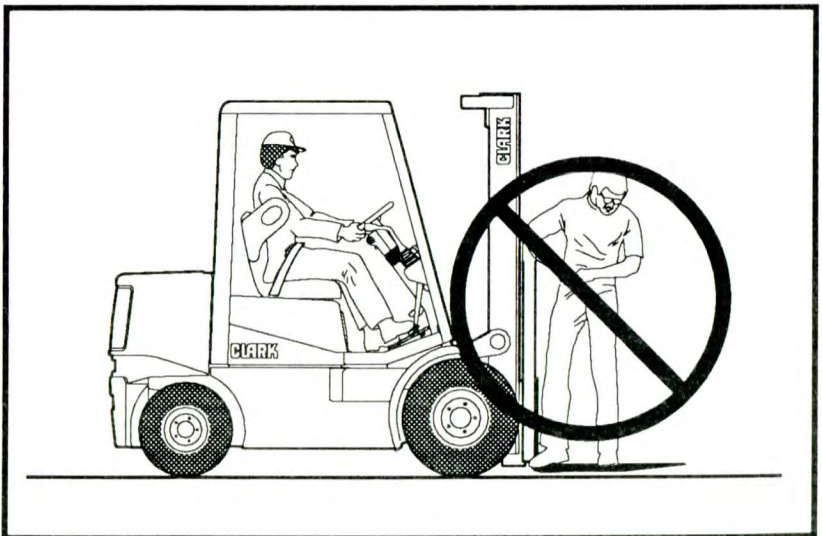


Seat belts can reduce injuries.

No Riders



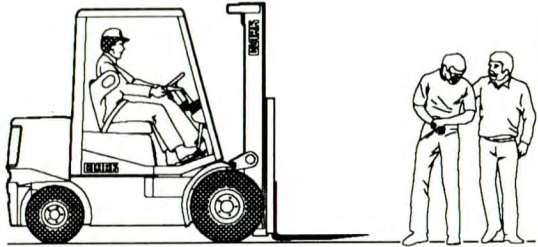
The operator is the only one who should be on a truck.



Never transport personnel on the forks of a lift truck.

Pedestrians

Watch where you are going. Look in the direction of travel. Pedestrians may use the same roadway you do. Sound your horn at all intersections or blind spots.

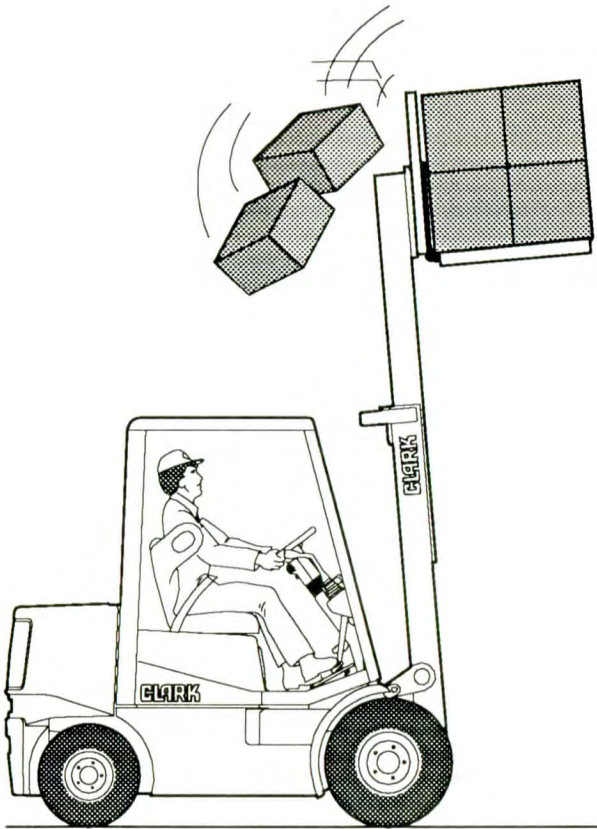


Watch for people in your work area even if your truck has warning lights or alarms. People may not watch for you.

Make people stand back, even when you are parked.



Operator Protection



Keep under the overhead guard.

Always keep your body within the confines of the truck.

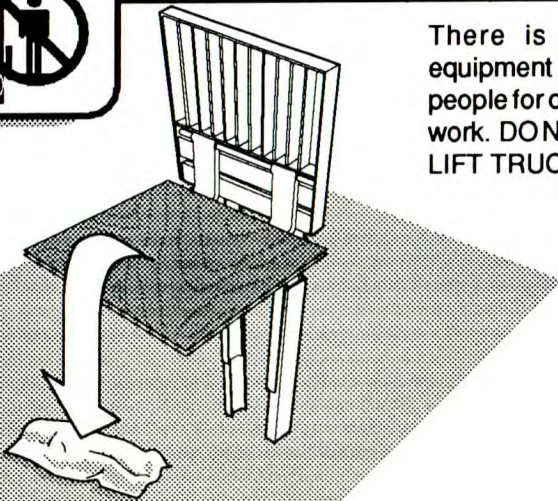
Fork Safety

Never allow anyone to walk under raised forks.



DANGER

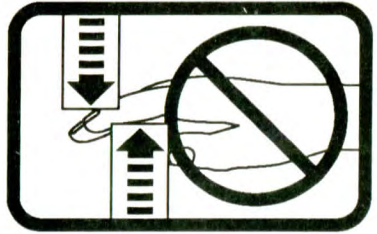
There is special equipment to raise people for overhead work. **DO NOT USE LIFT TRUCKS.**



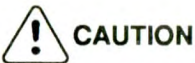
Pinch Points



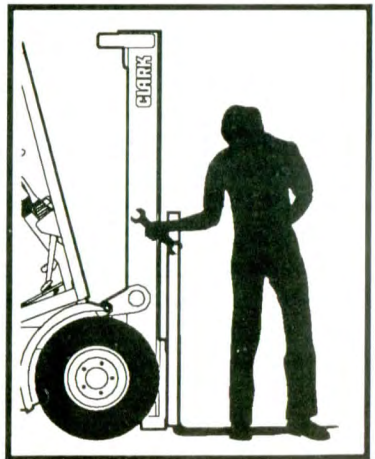
Keep hands, feet and legs out of the upright.



Don't use the upright as a ladder.



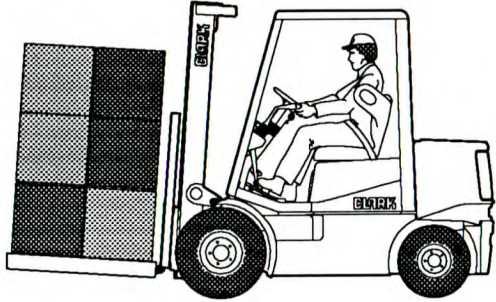
Never try to repair the upright, carriage, chain, or attachment yourself! Always get a trained mechanic.



Travel

Travel with the load near the floor/ground with upright tilted back to cradle the load whenever possible.

Never lift or lower the load when the truck is in motion.



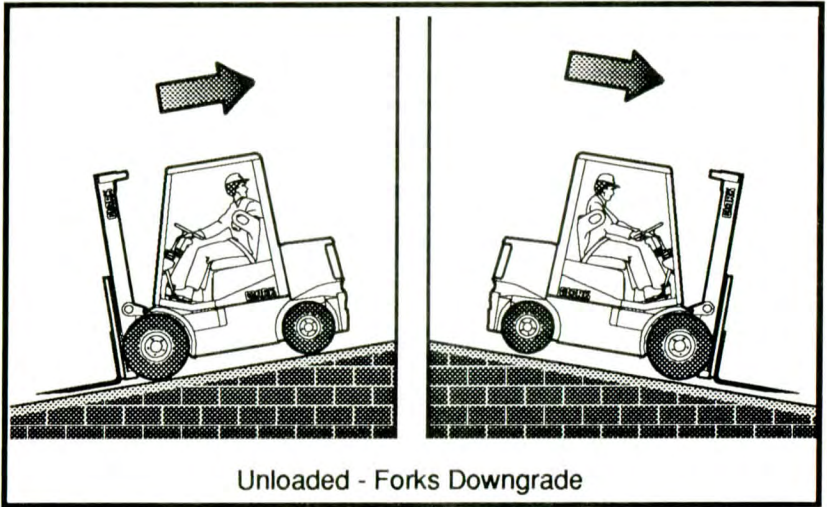
When handling bulky loads that restrict your vision operate your truck in reverse to improve visibility. Except up ramps or inclines. Be sure to pivot in the seat to give maximum visibility.



Unstable loads are a hazard to you and to your fellow workers. Always make certain that the load is well stacked and evenly positioned across both forks. Never attempt to lift a load with only one fork.

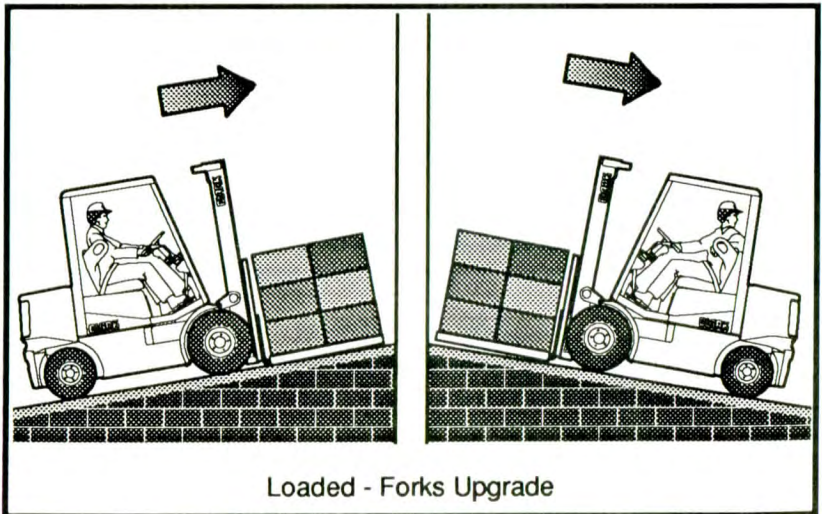


Grades, Ramps, Slopes, and Inclines



WARNING

Never turn on a grade, either loaded or unloaded.



Tipover

Lateral Tip-over

- Lateral tip-over can occur with a combination of speed and sharpness of turn. This combination will exceed the stability of the truck. This condition is even more likely with an unloaded truck.
- With the load or upright raised, lateral tip-over can occur while turning and/or braking when traveling in reverse or accelerating and turning while traveling forward.
- Lateral tip-over can occur loaded or unloaded by turning on an incline or ramp.



Longitudinal Tip-over

- Longitudinal tip-over can occur with a combination of overloading and load elevated also with capacity load and elevated. This combination will exceed the stability of the truck. This condition is even more likely with excessive forward tilt, braking in forward travel or accelerating rearward.
- Longitudinal tip-over can occur by driving with the load down slope on a steep grade.



Lateral and longitudinal tip-over can occur if the truck is driven over objects on the floor or ground, off the edge of improved surfaces, or into potholes in the road surface, or by running into overhead objects or collisions.

An off dock type of tip-over can occur if the truck is steered too close to the dock edge, driven off the edge of the dock or ramp, or if the highway truck or trailer rolls away from the dock or is driven away during loading.



WARNING

The conditions listed above can be further aggravated by overloading, excessive tilt, or off center loads.

IMPORTANT

Lift truck tip-over can cause serious injury or death if the operator is trapped between the truck and the ground.

What to do in Case of a Tip-over



WARNING

If your truck starts to tip over,

DO NOT JUMP!!!

Brace yourself as illustrated below!

1. Make sure your seat belt is fastened securely.
2. Stay in your seat.
3. Grip the wheel.
4. Brace your feet.



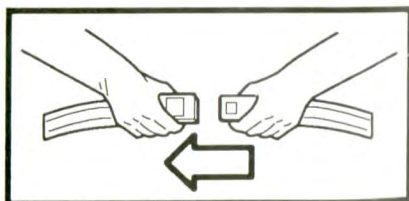
IMPORTANT

Your chances for survival in a tip-over are better if you stay with the truck, in your seat.

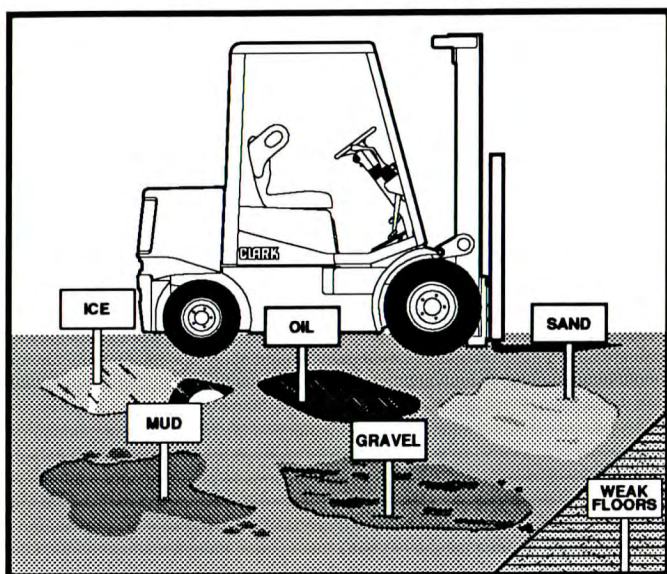
IMPORTANT

Use of seat belts can reduce injuries.

ALWAYS BUCKLE UP



Surface and Capacity



Avoid these conditions. They can cause a truck to tip over or lose traction for braking or driving.

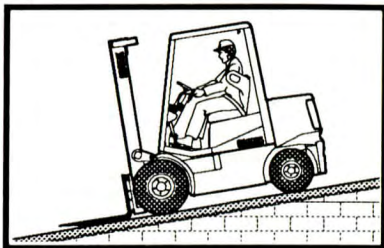


WARNING

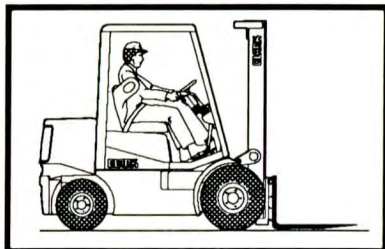
Know the weight of your truck and load. Especially when using elevators. Know the capacity of the elevator you intend to use. Do not overload.

Parking

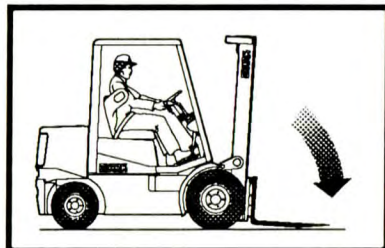
Never park on a grade.



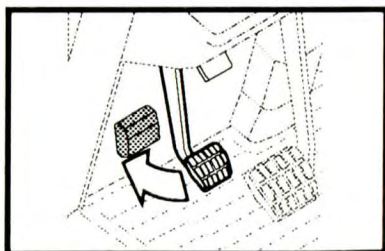
Always come to a complete stop before leaving truck. Be sure travel control is in NEUTRAL.



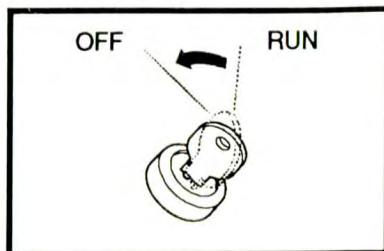
Lower forks fully to floor and tilt forward.



Set parking brake.



Turn key to OFF position.

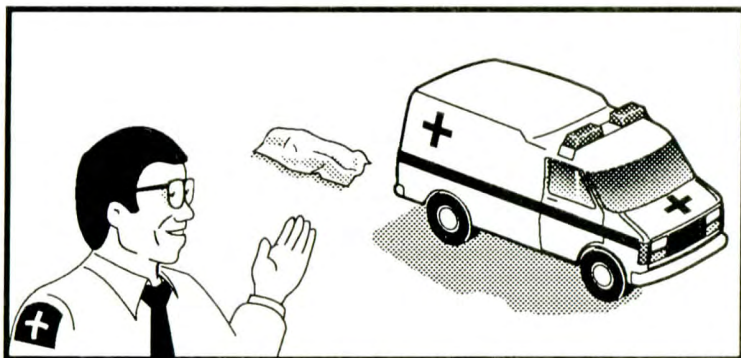




Operating Hazards

Contents

Loose Loads	2-2
Long and Wide Loads	2-3
Rear Swing	2-3
Low Overhead Clearance	2-4
Drop-Offs	2-5
Right-Angle Stacking	2-6
Chain Slack	2-7
Pallets and Skids	2-8



This Section shows some of the hazards that may cause you, or someone around you, to be killed or badly hurt. As the operator, you must look for other hazards. Get your supervisor to help you identify and avoid those hazards.

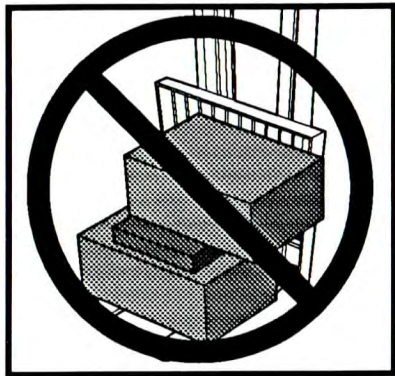
Loose Loads



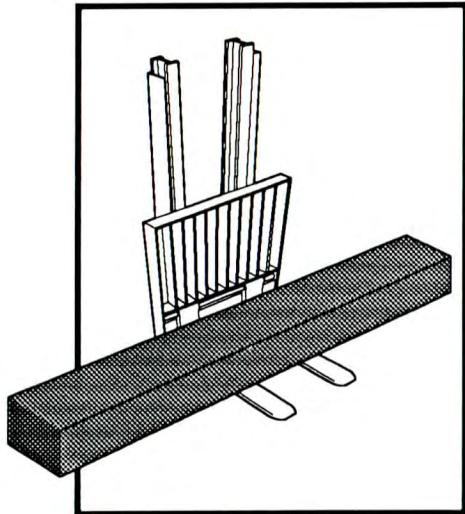
WARNING

Loose or unbalanced loads are dangerous. Observe these precautions.

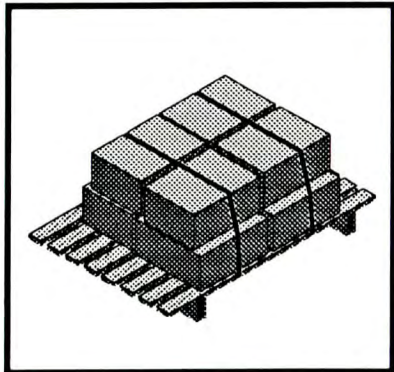
Never carry loose or uneven material.



Center wide loads.



Stack and band loose material.



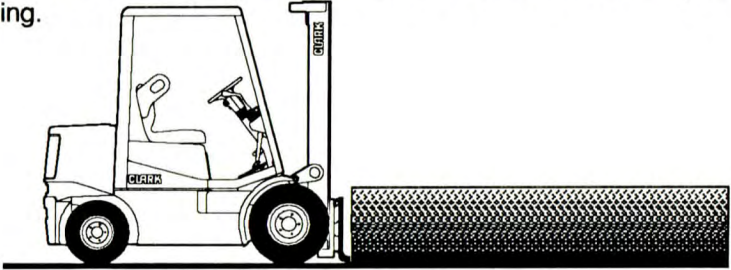
Long and Wide Loads



WARNING

With long or wide loads, you need more room. So slow down and watch your clearance.

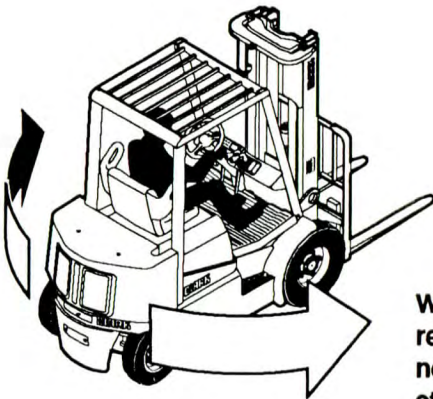
When extra-long material makes it necessary to travel with the load elevated, do so with extreme care and be alert to load end-swing when turning.



WARNING

A long load reduces the capacity of the truck. Know and understand your truck load rating.

Rear Swing



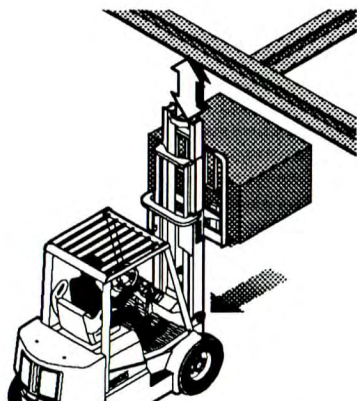
WARNING

When turning, be sure the rear end of the truck does not swing into racks, posts, etc. Watch for pedestrians beside the truck.

Low Overhead Clearance

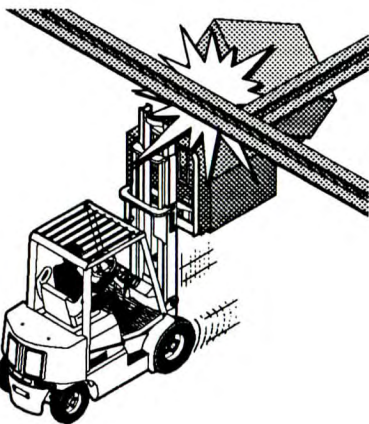
WARNING

Know the height of your truck, with and without a load. Check your clearances. Keep the load low and tilted back.



WARNING

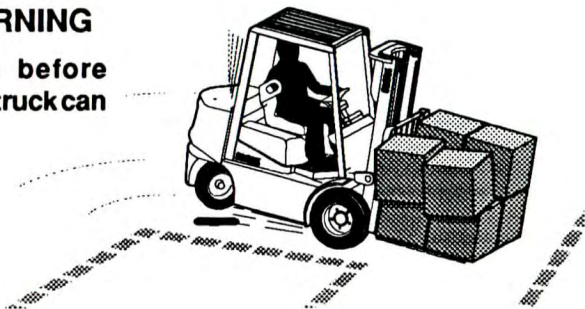
Watch overhead clearance: Moving into overhead structures can tip a truck over, or spill a load.



Fast Turns and High Loads

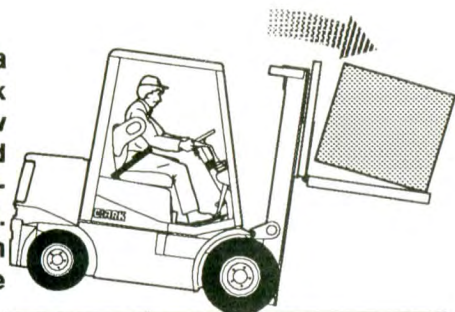
WARNING

Slow down before turning. The truck can tip over.



WARNING

Turn too sharp with a raised load and your truck can tip even at slow speeds. Travel with a load raised only when removing or depositing a load. Aggressive braking with raised load will cause tipover.

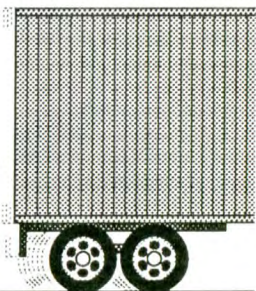


Drop-Offs

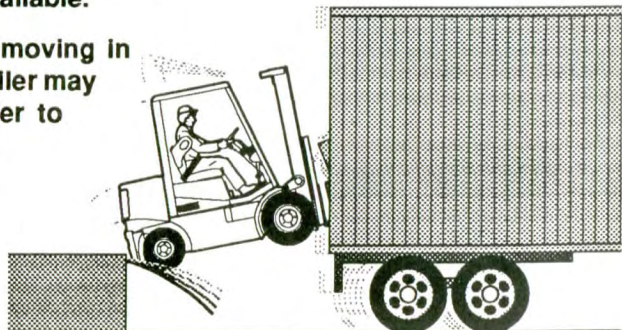
WARNING

To avoid these hazards, you must:

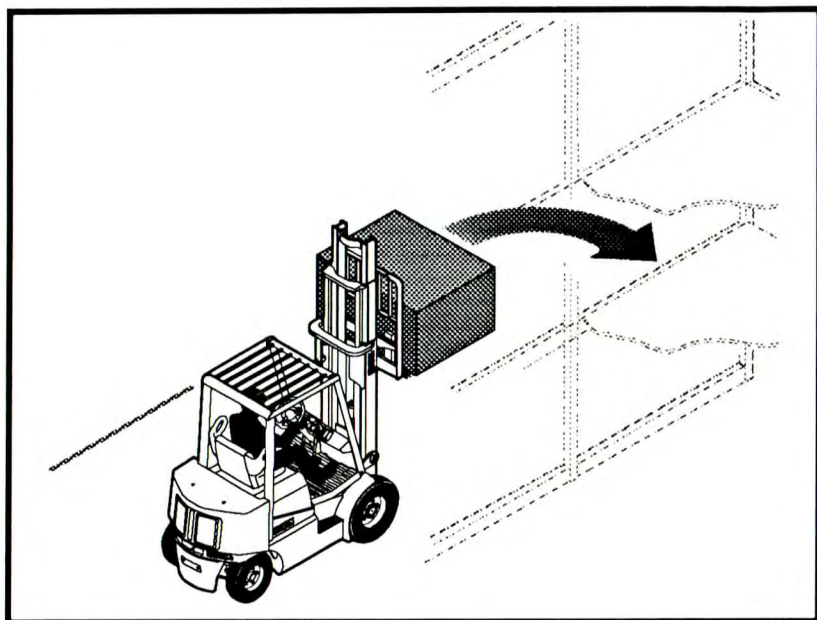
- Talk to the truck driver yourself; make sure the driver does not move the trailer until you are done!
- Apply trailer brakes.
- Use wheel chocks.
- Use trailer-to-dock locking system if available.



The impact of moving in and out of a trailer may cause the trailer to creep or move.



Right-Angle Stacking



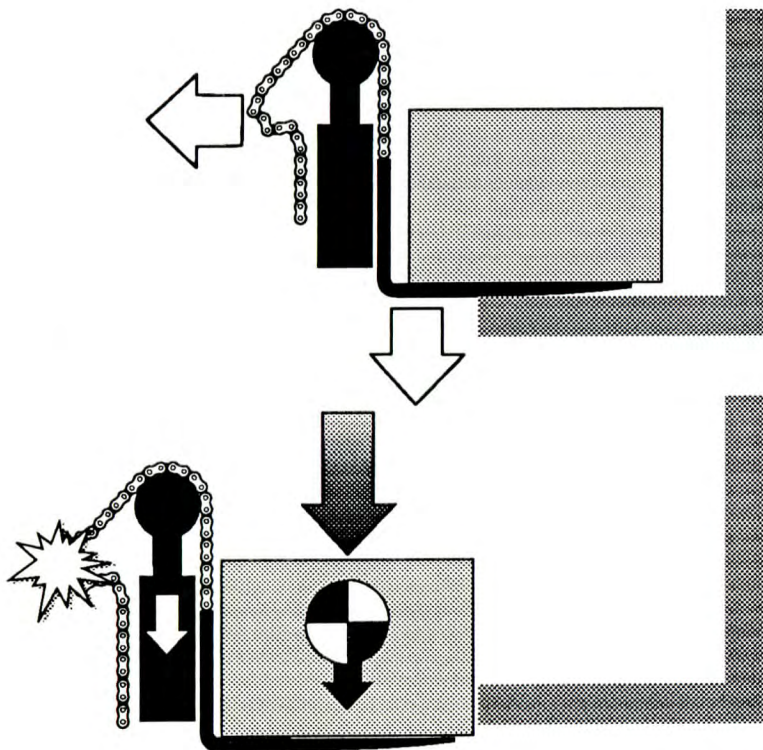
SLOWLY



WARNING

When right-angle stacking or moving with a raised load to clear low objects, avoid sharp turns or hard braking and move slowly.

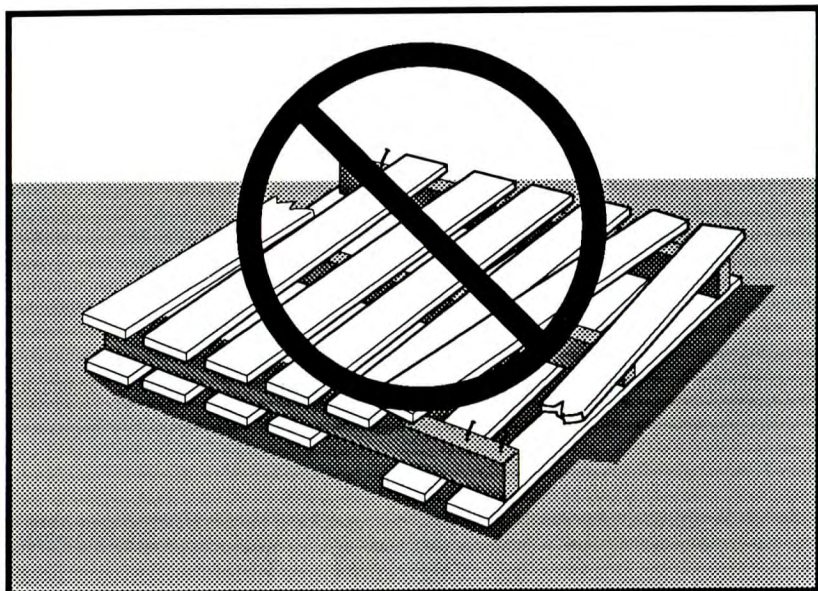
Chain Slack



WARNING

Slack chains mean rail or carriage hang-up. Raise the forks before you move, or broken chains can result.

Pallets and Skids



WARNING

Do not move or store materials on damaged pallets or skids. Items can fall through them causing severe injury or death!

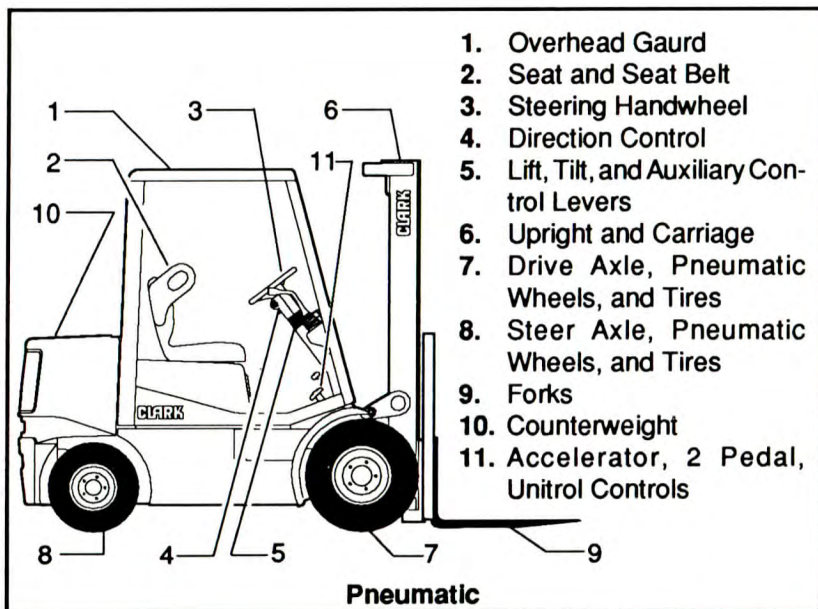
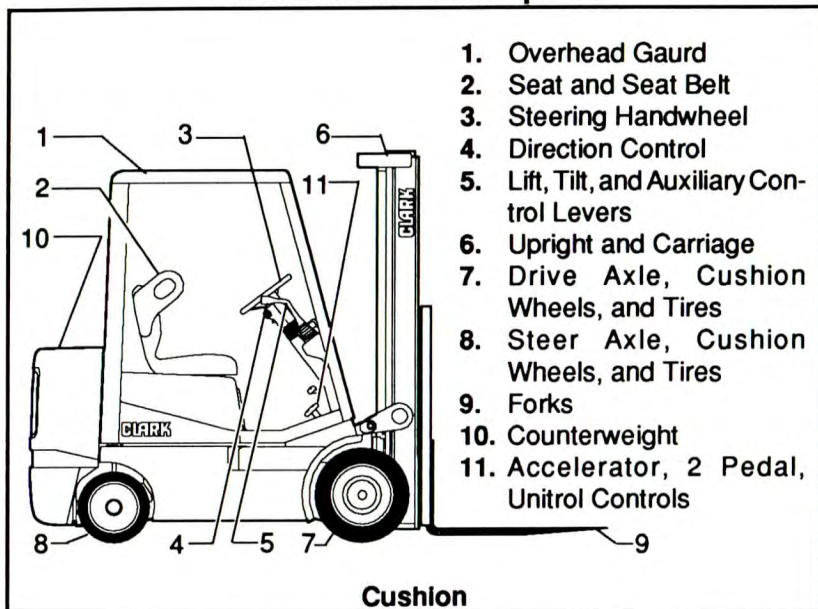
Be sure the pallet or skid you are using is in good condition and does not have defective or missing components and fasteners.

Know Your Truck

Contents

Truck Model Description	3-2
Data/Safety Plates and Decals	3-3
Operator's Compartment and Controls	3-7
Dash Pod Display	3-8
Indicator Symbols	3-9
Key/Start Switch	3-10
Seat Adjustment	3-11
Parking Brake	3-11
Hour Meter	3-11
Steering System	3-12
Horn Button	3-12
Steering Pylon	3-12
Directional Controls	3-13
Brake Pedals	3-14
Hydraulic Control Levers	3-15
Lift Control Function	3-15
Tilt Control Function	3-15
Auxiliary Control Valve Lever (Optional)	3-15
LPG Fuel System	3-16
CNG Fuel System	3-17

Truck Model Description



Data/Safety Plates and Decals



IMPORTANT

Do not operate a lift truck with damaged or missing decals or data plates. Replace them immediately. They contain important information (as described on the following pages). Refer to the Service Manual for the location of all decals.

 WARNING		
<p>BEFORE OPERATING lift truck, operator must:</p> <ul style="list-style-type: none"> • be trained and authorized • read and understand operator's manual • not operate a faulty lift truck • not repair lift truck unless trained and authorized • have the overhead guard and load backrest extension in place 		
<p>DURING OPERATION, lift truck operator must:</p> <ul style="list-style-type: none"> • wear a seat belt • keep entire body inside truck cab • never carry passengers or lift people • keep truck away from people and obstructions • travel with lift mechanism as low as possible and tilted back 		
<p>TO PARK lift truck, operator must:</p> <ul style="list-style-type: none"> • completely lower forks or attachments • shift into neutral • turn off key • set parking brake 		
Clark Material Handling Co	Sit Down Rider	2798233

Unitrol or Dual Pedal Decals

Your lift truck could be equipped one of three types of controls (see pg 3-7), make sure that the correct decals for your truck are secure and in their proper place.

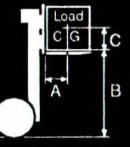
 WARNING	
<p>This truck is equipped with Unitrol Pedal that combines forward and reverse in the same pedal. Before operating, the operator must:</p>	
<ul style="list-style-type: none"> • Be trained and authorized. • Read and understand operator's manual for proper operation. 	
<small>2801440</small>	

 WARNING	
<p>This truck is equipped with Forward and Reverse Pedals for Directional Control. Before operating, the operator must:</p>	
<ul style="list-style-type: none"> • Be trained and authorized. • Read and understand operator's manual for proper operation. 	
<small>2804240</small>	

Truck Data and Capacity Plate

From the factory this truck meets Part II ANSI B56.1

As load center A and load height B and C increase, lifting capacity decreases.



Capacity with attachment or forks with upright in vertical position. Capacities for centered loads only.

For other capacities consult Clark Material Handling Co., Lexington, KY

Model	Type
Serial No.	
Attachments	
Truck Weight	lb or kg
	in
	kg
	lb
	kg
	lb
	kg
	in

1 Model / Type
2 Serial No.
3 Attachments
4 Truck Weight
5 Capacity table

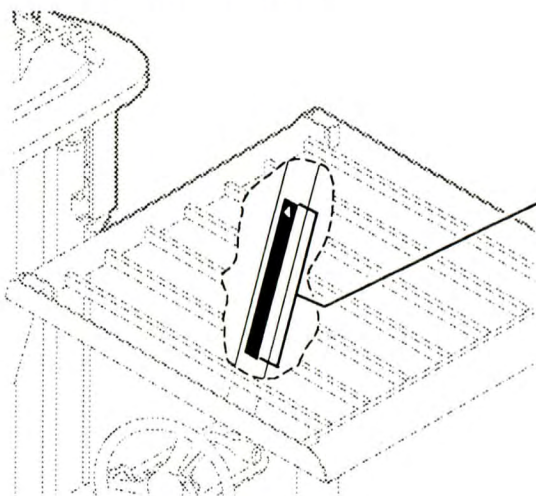
1. Truck model number or registered name.
2. Truck serial number—An identification number assigned to this particular truck and should be used when requesting information or ordering service parts for this truck from your authorized CLARK dealer. The serial number is also stamped on the frame.
3. Attachment description (if any installed)—The user must see that the truck is marked to identify the attachment(s), including the weight of the truck/attachment combination and truck capacity with the attachment.
4. Capacity rating, load center, and lifting height data—Shows the maximum load capacity of this truck with relation to load centers and fork heights (see diagram on plate). Personal injury and damage to the truck can occur if these capacities are exceeded. **Do not exceed the maximum capacity specified.**
5. Truck weight—The approximate weight of the truck without a load on the forks. This weight plus the weight of the load must be considered when operating on elevators, elevated floors, etc. to be sure they are safe.



CAUTION

Before modifications that affect the stability of safety systems are made written approval from CLARK. This is an OSHA requirement. Contact your authorized CLARK dealer for a new nameplate showing the revised capacity.

Operator Safety Warning Decal

**IMPORTANT**

Safety and warning decals are placed in conspicuous locations on the truck to remind you of essential procedures or to prevent you from making an error that could damage the truck or possibly cause personal injury. You should know, understand, and follow these instructions. Safety and warning decals should be replaced immediately if missing or defaced (damaged or illegible). Refer to your Service Manual for the location of all decals.

Operator/Tip-Over Warning Decal

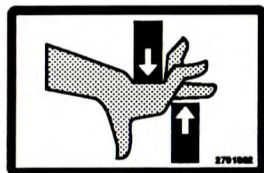
This decal is located on the front right hand leg of the drivers overhead. Its purpose is to remind the operator that staying in the seat provides the best chance of avoiding injury in the event of a truck-tipping or driving off a dock mishap.

Lift trucks can be tipped over if operated improperly. Experience with lift truck accidents has shown that the driver cannot react quickly enough to jump clear of the truck and overhead guard as the truck tips. To protect operators from severe injury or death in the event of a tip-over, it is best to be held securely in the seat. So, please, always buckle up when driving your lift truck.



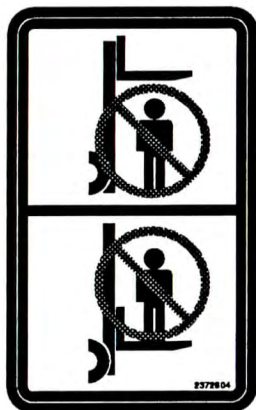
Upright Warning Decal

This safety decal is placed on the upright to warn of the danger of injury from movement between rails, chains, sheaves, fork carriage, and other parts of the upright assembly. Do not climb on or reach into the upright. Personal injury will result if any part of your body is put between moving parts of the upright.



Keep Away from Forks Decal

This safety decal is placed on the upright to warn of the danger of injury from forks when they are in the raised position. Do not ride on or stand under forks or attachments. The forks can fall and cause injury or death. Always make sure that the forks are in the fully lowered position when they are not handling a load.



Fan Warning Decal

This safety decal is displayed on the cooling fan shroud of the radiator to warn of the danger of injury from spinning fan blades when the engine is running. Be sure that you keep your hands, fingers, arms, and clothing away from a spinning fan. Don't stand in line with a spinning fan. Fan blades can break at excessively high RPM and be thrown out of the engine compartment.

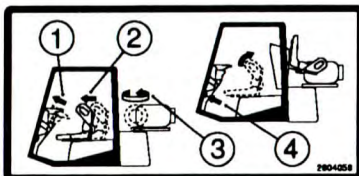


Hood Opening Decal (LPG)

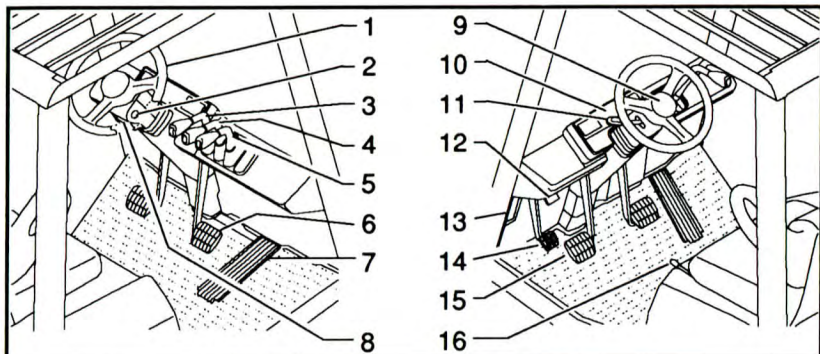
Opening the hood is a simple four step procedure. Just follow the numbers on the decal.

1. Tilt steering wheel to most forward position.
2. Slide seat to forward position.
3. Release and rotate LPG tank 180°.
4. Pull the hood release.

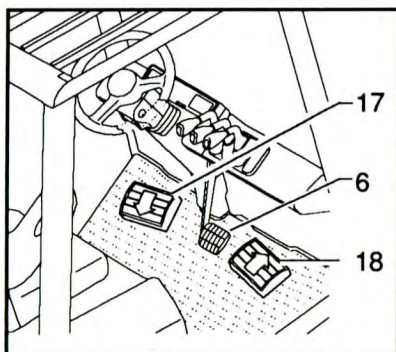
The hood should open freely.



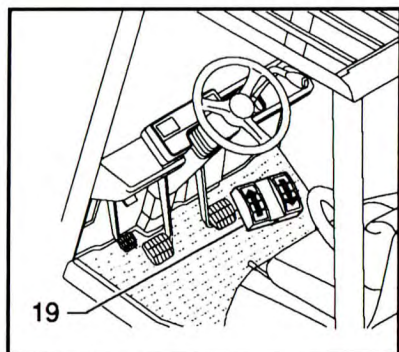
Operator's Compartment and Controls



Standard Operating Controls



Two Pedal Controls



Unitrol Pedal Controls

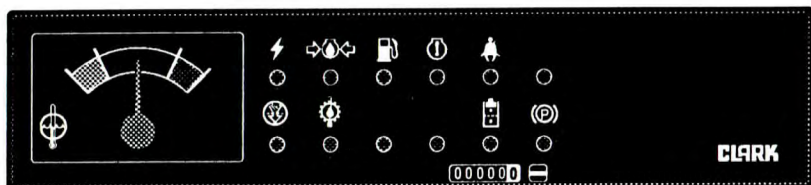
- | | |
|----------------------------------|---|
| 1. Steering Handwheel | 12. Parking Brake Release |
| 2. Key Switch | 13. Hood Release |
| 3. Lift Control Lever | 14. Parking Brake Pedal |
| 4. Tilt Control Lever | 15. Inching Pedal |
| 5. Auxiliary Control Lever | 16. Seat Adjustment Lever |
| 6. Brake Pedal | 17. Direction Control and Speed Pedal (REV) |
| 7. Accelerator Pedal | 18. Direction Control Pedal and Speed (FWD) |
| 8. Pylon Lock | 19. Unitrol Pedal |
| 9. Horn Button | |
| 10. Dash Display | |
| 11. Direction Control (standard) | |

IMPORTANT

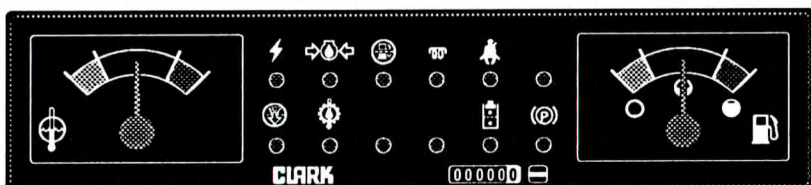
Familiarize yourself with the controls and follow safe operating procedures.

Dash Pod Display

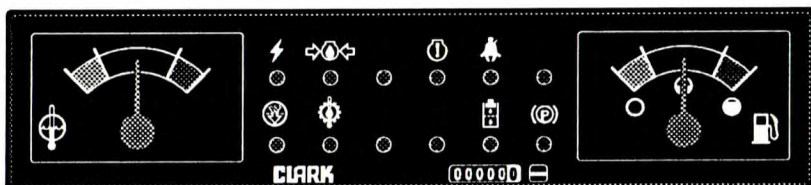
Familiarize yourself with the dash display and its warning indicators. Make viewing the indicators part of your normal operating routine. If any of these indicator lights show an irregularity or when they are not working properly, have them checked immediately.














LPG Truck Dash Display



Diesel Truck Dash Display



Gas Truck Dash Display

-  **Ammeter:** This symbol displays when the alternator is not charging the battery.
-  **Engine Oil Pressure:** This symbol displays when the engine oil pressure reaches the minimum allowable limit. The indicator will also display along with the automatic engine shutdown in case of low oil pressure. An alarm will also sound.
-  **Diesel Fuel Filter:** This symbol displays when the restriction level reaches the maximum allowable limit.
-  **Fuel Level:** This symbol displays when the LPG fuel bottle reaches a minimum allowable limit.
-  **Glow Plug Preheat:** When the ignition switch is turned to the "ON" position, a timer is set. This symbol displays until the timer cycle is completed. The engine may then be started.
-  **Engine Diagnostic:** This symbol displays at the start up of the truck. A mechanic should be called if it displays at any other time. A mechanical problem could be present.
-  **Seat Belt:** At start up this symbol displays along with an audio alarm for 10 seconds. This display reminds you to fasten your seat belt.
- IMPORTANT**
- You should always have your seat belt securely fastened when operating your lift truck.**
-  **Air Filter:** This symbol displays when the restriction level in the air cleaner reaches the maximum allowable limit.
-  **Transmission Oil Temperature:** This symbol displays when the transmission oil temperature reaches the maximum allowable limit. The indicator will also display together with the automatic engine shutdown in case of high oil temperature. An alarm will also sound.
-  **Hydraulic Oil Filter:** This symbol displays when the hydraulic filter restriction level reaches the maximum allowable limit.
-  **Parking Brake:** This symbol displays when the parking brake is engaged.

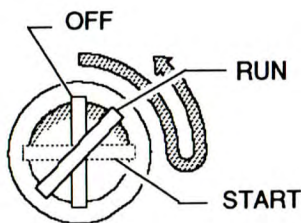
Key/Start Switch

The Key/Start Switch:

- Turns the truck electrical system on and off.
- Connects and tests the warning indicator lights.
- Connects the starter motor circuit when engine is to be started.

The Key/Start Switch has three positions.

When the key is in the vertical "OFF" position, all truck electrical circuits are off, and the key can be removed. From the "OFF" position, the key can be turned clockwise to the "START" position, where the starter motor is engaged and part of the truck electrical system is energized. When the key is released from the "START" position, it automatically returns to the "RUN" position, where the starter is disengaged and the entire truck electrical system is on.



The key switch has a mechanical "anti-restart" feature, which prevents the engine starter from being engaged and damaged if the operator attempts to start the engine when it is already running. The key switch cannot be turned to the "START" position from the "RUN" position without returning the key to the "OFF" position. If the engine stops running, the key switch must be turned to the "OFF" position before it can be restarted.

Cold Start Preheating (Diesel Only)

With the switch in the "ON" position the warning indicator will light up then the glow plugs are pre-heating automatically, after 6 seconds the indicator light will go out. The engine can then be started. To repeat the preheating process turn the key to the "OFF" and then into the "ON" position.

Engine Stop

Run the engine at idling speed briefly before shutting it off. Turn the key switch to the "OFF" position to shut the engine down.

Seat Adjustment

The seat has two adjustments, it can be moved forwards or backwards by using the lever that is located on the left side under the seat. To unlock the seat, pull the lever upwards and adjust the seat so that all controls may be comfortably reached. Release the lever and make sure that the seat locks into position.

The seat back can also be adjusted to a comfortable operating position. You can do this by lifting on the front lever of the seat as shown, and pulling forward at the same time.

**CAUTION**

Never adjust driver's seat while truck is moving, to avoid the possibility of loss of control and of personal injury.

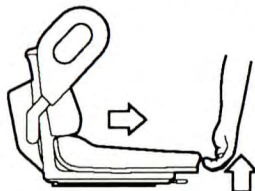
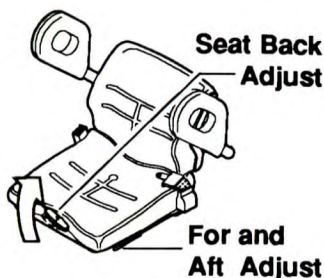
**CAUTION**

Always apply parking brake before leaving truck.

Parking Brake

The parking brake pedal mechanically operates the parking brake. To apply the parking brake push the pedal down with your left foot until pedal stops.

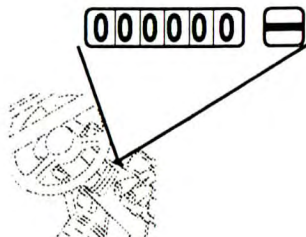
The parking brake release is located just above the brake pedal as shown. To release the parking brake pull toward you. The parking brake, which is independent from the service brake system, is actuated by a cable.

**WARNING**

Never operate your lift truck with a defective parking brake.

Hour Meter

Starting the engine also starts the operating hour meter. Use the hour meter reading to perform prescribed maintenance.



Steering System

The steering handwheel operates a steering control valve that directs the oil flow to the steering cylinder connected to the steer axle. The steering control valve can also act as a pump to provide manual steering if the hydraulic pump stops.

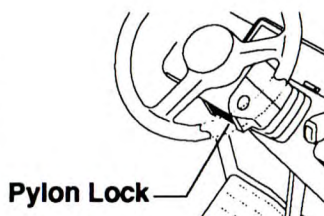


Horn Button

The horn button is located in the center hub of the steering handwheel.

Steering Column Pylon

The steering wheel can be tilted forwards and backwards in small discrete movements. Push and hold pylon lock, move the wheel to the desired position and release lock.



NOTE

Your lift truck could be configured one of three ways:

- Standard configuration is similar to an automotive or common lift truck application.
- Two pedal configuration has designated pedals that control forward and reverse movement.
- Unitrol pedal controls forward and reverse with one pedal.

Direction Control Lever (Standard)

This lever is on the left side of the steering column. When changing the direction of travel, make sure that your lift truck has come to a complete stop before moving the lever to the other position.



Two Pedal Control

In the case of two pedal operation there is no forward/reverse lever. The direction of travel and speed of truck is determined by the forward or reverse pedals.

Forward

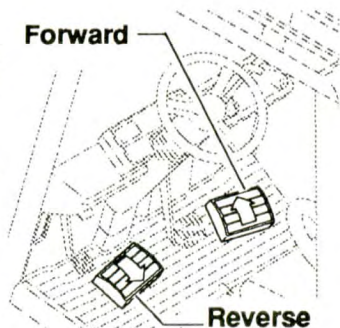
To move forwards depress the right pedal. The farther you push down on the pedal the faster the truck will move.

Reverse

To move in reverse depress the left pedal. The farther you push down on the pedal the faster the truck will move.

Neutral

Release both pedals and transmission is in "neutral".

**Unitrol Pedal**

With the Clark Unitrol, the directional control lever is no longer located on the steering pylon. The direction of travel and speed of truck is determined by the Unitrol pedal.

Forward

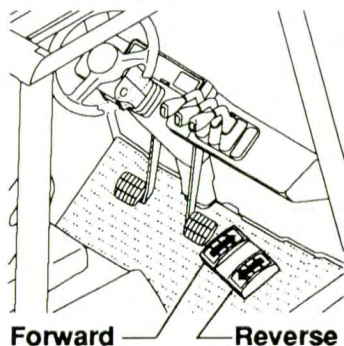
To select and move the truck in the forward direction you must push down on the (FWD arrow) left side of the Unitrol pedal. The farther the pedal is depressed the faster the lift truck will go in forward.

Reverse

To select and move the truck in the forward direction you must push down on the (REV arrow) right side of the Unitrol pedal. The farther the pedal is depressed the faster the lift truck will go in reverse.

Neutral

The unitrol pedal activates only FWD and REV. Neutral is activated only when the parking brake is set.

**IMPORTANT**

For safety reasons, your CLARK forklift truck is fitted with a neutral start switch. The purpose of this is to prevent the engine from being started while the transmission is in gear. Thus the engine may only start when the direction control lever is in the neutral position.

NOTE: If the truck will start with the direction control in either forward or reverse, there is a problem with the neutral start switch and it must be repaired.

Brake Pedal/Pedals

The hydrostatic lift truck can be configured three ways:

- Standard, automotive or common lift truck = 2 brake pedals
- Two Pedal, forward and reverse pedals = 1 brake pedal
- Unitrol, one pedal controls FWD and REV = 2 brake pedals



CAUTION

On ramps or inclines the brake pedal should be used. The lift truck could move involuntary backwards or forwards.

Stopping the Truck

Releasing the travel pedals will cause the truck to decelerate and stop.

The preferred method of braking is to lift your foot from the direction or ground speed pedal, the truck will then come to a stop. The conventional brake pedal can be used to stop the truck if necessary.

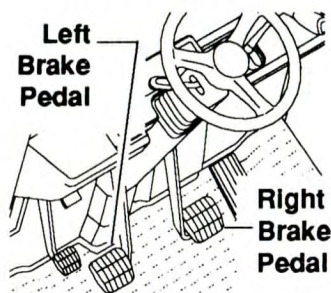
IMPORTANT

The Clark Hydrostatic Lift Truck uses the pump for dynamic braking to slow down and stop the trucks direction of travel. The brake pedal can still be used in extreme conditions.

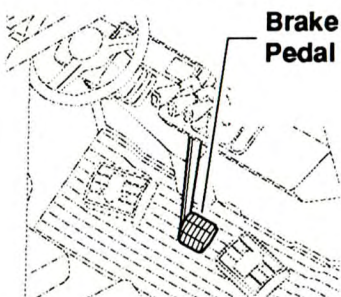


CAUTION

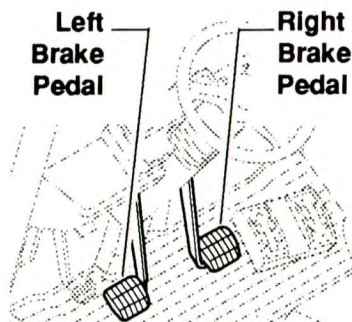
Stop the lift truck as gradually as practical. Hard braking and wheel sliding are dangerous, increase wear and can cause you to lose a load and damage to the lift truck. Can cause tip-over.



Standard Control



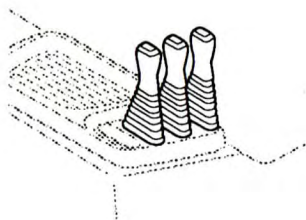
Two Pedal Control



Unitrol Pedal Control

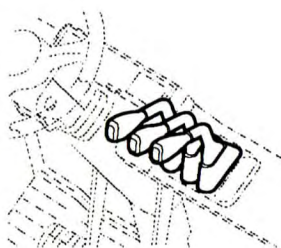
Hydraulic Control Levers (Deck Mounted)

The deck mounted levers are mounted on the seat deck to the right of the operator. The levers of the control valve activate the lift, tilt functions as and any other hydraulic devices which are installed on the truck.



Hydraulic Control Levers (Std)

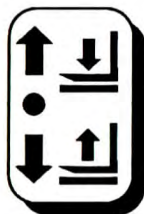
The hydraulic control levers are mounted on the dash within easy reach of the operator. The dash mounted levers do the same function as the deck mounted levers.



Lift Control Function

With the lift control lever, you are able to raise and lower the fork carriage on the upright. The lifting and lowering speeds are controlled through the main hydraulic valve by varying the lever position (from the center or neutral positions).

When the lift control lever is pushed forward, the fork carriage is lowered. When the lift control lever is pulled back the fork carriage is raised. You can also lower the fork carriage even if the key switch is OFF.



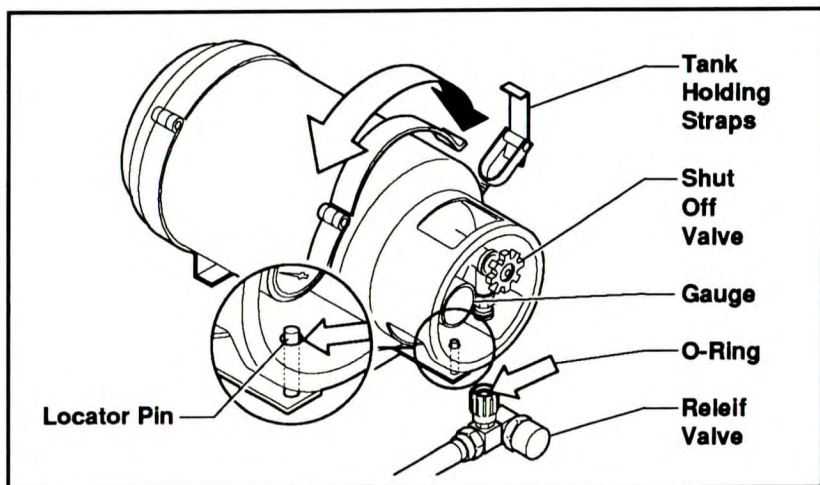
Tilt Control Lever

With the tilt control lever, you are able to control the tilting or vertical positioning of the upright and the angle of the forks. When the lever is pulled back, the upright and forks tilt backward. Push the lever forward to tilt the upright and forks forwards.



Auxiliary Control Lever (Optional)

An auxiliary control lever is mounted to the right of the tilt control lever. If your lift truck is equipped with an optional attachment, this lever lets you control the flow and direction of the hydraulic oil to the attachment.



LPG Fuel System

WARNING

LPG IS HIGHLY FLAMMABLE. Never smoke when changing Tanks. Never change tanks with the engine running.

LPG IS HEAVIER THAN AIR. It settles on your clothes and the ground around you, displacing oxygen vital for breathing. Open flames can cause fires.

If your truck uses liquefied petroleum gas (LPG), the fuel is stored in a tank mounted on the truck. A shut-off valve, a safety check valve, a relief valve and a pressure gauge are attached to the tank.

You manually operate the shut-off valve to control the flow of fuel from the tank. You must close this valve when the engine is not running. Close this valve by hand only to a firm tightness. Do not over-tighten.

When you open the shut-off valve before starting the engine, turn the handle slowly; otherwise, the check valve will block fuel-flow for a two to three minute period.

The O-Ring on the coupling must be kept in good condition.

IMPORTANT

The tank must lock onto the locator pin before the fastener is secured. This is to make sure that the relief valve is in the proper orientation.

CNG Fuel System



WARNING

Contents of the CNG tank are under extreme pressure. When refueling be very cautious. Make sure there is **NO SMOKING, NO OPEN FLAMES**. Make sure engine is turned off. **CNG IS HIGHLY FLAMMABLE GAS.**

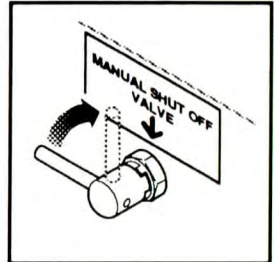
Emergency Shut-Off Valve

This quarter-turn valve, shown in the illustration, should only be used in case of an emergency.



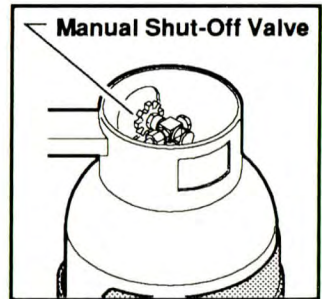
DANGER

If you smell natural gas in or around the engine area you may have a CNG leak. Turn the emergency shut-off valve to the OFF position. Have a trained and authorized mechanic check for leaks.



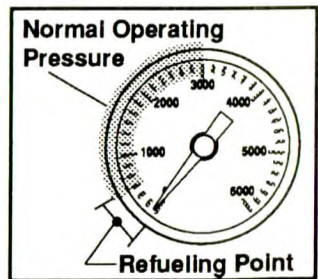
CNG Tank

If your lift truck is fueled by compressed natural gas (CNG), the fuel is stored in a tank mounted on the truck. There is a shut-off valve on the tank and a relief valve that is both heat and pressure actuated. You manually operate the shut-off valve to control the fuel flow from the tank. You must manually close this valve at the end of each shift. Close the tank valve by hand to a firm tightness. **Do not over-tighten.**



CNG Fuel Level Gauge

The amount of fuel remaining in the tank can be checked by looking at the gauge either on the dash or on the seat deck just to the right of the driver's seat. The gauge reads from 0 to 6000 psi. When the tank is full the gauge should read 3000 psi, this is the maximum working pressure. The truck should be refueled when the pressure drops below 500 psi.





Operator Maintenance and Care

Contents

Daily Safety Inspection	4-2
Fuel Safety Practices	4-5
Refueling LPG Tanks	4-6
Refueling CNG Tanks	4-8

NOTICE

The Occupational Safety and Health Act (OSHA) requires that truck users examine their trucks before each shift to be sure they are in safe working order. Defects when found shall be immediately reported and corrected. The truck shall be taken out of service until it has been restored to safe operating condition.

Daily Safety Inspection

Before using a lift truck, **it is the operator's responsibility** to check its condition and be sure it is safe to operate.

Check for damage and maintenance problems; have repairs made before you operate the truck. Unusual noises or problems must be reported immediately to your supervisor or other designated authority.

Do not make repairs yourself unless you are trained in lift truck repair procedures and authorized by your employer. Have a qualified mechanic make repairs using genuine CLARK or CLARK-approved parts.



CAUTION

Do not operate a truck if it is in need of repair. If it is in an unsafe condition, remove the key and report the condition to the proper authority. If the truck becomes unsafe in any way while you are operating it, stop operating the truck, report the problem immediately, and have it corrected.

Lift trucks should be inspected every eight hours, or at the start of each shift. In general, the daily inspection should include the **visual** and **functional checks** described on the following pages.

As an aid in carrying out this inspection, CLARK has prepared a form called the "**Driver's Daily Checklist**." We recommend that you use this form to make a daily record of your inspections and truck condition. You may obtain copies of this form from your CLARK dealer.



WARNING

Leaking hydraulic oil may be hot or under pressure. When inspecting a lift truck, wear safety glasses and do not check for leaks with bare hands. If high pressure from oil punctures skin see a physician immediately

Visual Checks

First, perform a visual inspection of the truck and its major components:

1. Walk around your lift truck and take note of obvious damage that may have been caused by operation during the last shift.
2. Check that all capacity, safety, and warning plates or decals are attached and legible.
3. Check before and after starting engine for leaking fuel, engine coolant, transmission fluid, etc.
4. Check for hydraulic oil leaks and loose fittings.



CAUTION

Do not use bare hands to check. Oil may be hot or under pressure.

5. Be sure that the driver's overhead guard, load back rest and all other safety devices are in place, securely fastened and undamaged. Inspect for damaged or missing parts, corrosion, cracks, breaks etc.
6. Check all of the critical components that handle or carry the load.
7. Look the upright and lift chains over. Check for obvious wear and maintenance problems such as damaged or missing parts, leaks, slack or broken chains, rust, corrosion, bent parts, cracks, etc.
8. Carefully inspect the load forks for cracks, breaks, bending, twists, and wear. Be sure that the forks are correctly installed and locked in their proper position.
9. Inspect the wheels and tires for safe mounting, wear condition, and air pressure.
10. Check the hydraulic sump oil level, engine oil level, and fuel level.

Functional Checks

Check the operation of the truck as follows.

NOTICE

Before performing these checks, familiarize yourself with the starting, operating, and shutdown procedures in Section 5 of this manual. Also, know the safety rules given in Section 1 of this manual.

1. Test warning devices, horn, lights, and other safety equipment and accessories.
2. Start the engine and be sure all controls and systems operate freely and return to neutral properly. Check the:
 - Gauges, meters, and indicator lights
 - Service brakes, inching pedal, and parking brakes
 - Hydraulic controls: lift, tilt, and auxiliary (if installed)
 - Accelerator
 - Directional control
 - Steering system
 - Lift mechanism and any attachments.

When the functional checks are completed, follow the **standard shutdown procedures** given in Section 5, "Starting and Operating Procedures."

Concluding the Inspection

Make a record on the "Driver's Daily Checklist" of all the problems that you find. Review the checklist to be sure it has been completed and turn it in to the person responsible for lift truck maintenance. Be sure any unusual noises or problems are investigated immediately.

Do not operate a lift truck that has a maintenance problem or is not safe to operate.

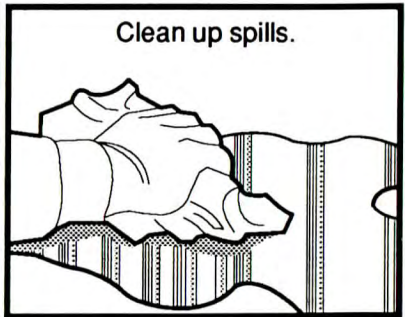
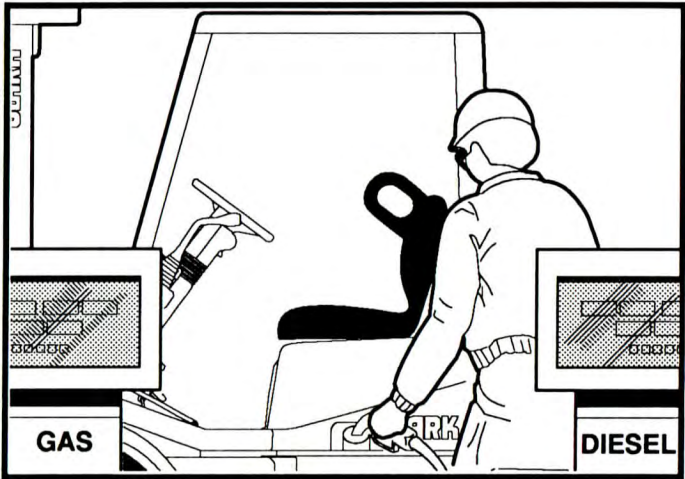
Instead, remove the key from the ignition switch and put an "Out of Service" tag on the truck.

If all of the Daily Inspection checks were normal or satisfactory, the truck can be operated.



Fuel Safety Practices

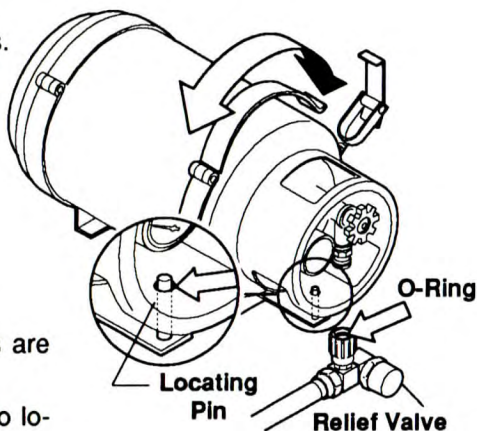
Refueling Gasoline and Diesel Trucks



Refueling LPG Tanks

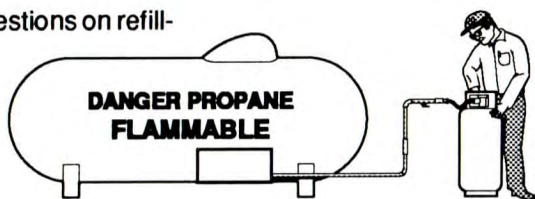
When changing liquefied petroleum gas (LPG), tanks follow these basic rules:

- Change only in well ventilated areas.
- Never allow open flames.
- Turn the ignition switch to the OFF position.
- Check for leaks.
- Check condition of the O-ring.
- Make sure tank is on locating pin.
- Make sure tank latches are securely fastened.
- Store tanks according to local fire codes



If you refill LPG tanks:

- Make sure you know and understand the proper procedure for filling an LPG tank.
- If you have any questions on refilling LPG tanks, please ask your supervisor.



! DANGER

LPG IS HEAVIER THAN AIR. It settles on your clothes and the ground around you, displacing oxygen vital for breathing. Open flame can cause flash fires.

IMPORTANT

Check all connections for damage or leaks. If the truck will not start after you change tanks, get a qualified mechanic to check the truck.

**RECOMMENDED SAFETY MAINTENANCE PROCEDURES
FOR LPG-FUELED LIFT TRUCKS****WARNING**

LPG is a combustible fuel that is heavier than air. Escaping gas may accumulate in low areas. The fuel cylinder should be mounted so that it does not extend outside the truck and should also be properly positioned by using the locating pin or key way.

The fuel valve should be turned off when the machine is not in service.

Cast fittings should not be used in the LPG system.

Use only Underwriters Laboratories or Factory Mutual listed LPG hose assemblies where pressure fuel lines are required.

All pipe threaded fittings should be installed using an approved sealing compound.

Fuel lines should be supported by clamps to minimize chafing and wear.

The LPG solenoid valve should be wired to an automatic shut off switch (oil pressure or vacuum) to prevent leakage of gas in the event the ignition is on without the engine running.

Check the LPG solenoid or vacuum shutoff valve for leakage as follows:

1. Turn fuel tank valve off, start and run engine until it stops.
2. Install a 0 to 30 psi pressure gauge per instruction A or B:
 - A. To primary test port of single units consisting of primary and secondary regulators.
 - B. Between the primary and secondary stage regulators when the LPG system consists of two regulators.
3. Turn the tank fuel valve on. The pressure gauge should maintain a zero reading. If it does not, the solenoid valve or vacuum shutoff valve must be repaired or replaced. An odor is added to LPG to help indicate leaks. If you detect gas odor, you should turn off the fuel tank supply valve and engine. Remove all sources of ignition, and ventilate the area. Make all of the necessary repairs before you turn the fuel supply on. The complete LPG system should be inspected periodically. Check all hoses for wear, connections for leaks, and all parts for damage.

NOTE: Fuel hoses have a limited life expectancy. They should be checked for cracking and drying due to age. Hoses with visible signs of age should be replaced. Use only Underwriters Laboratories or Factory Mutual listed LPG parts for replacements.

NOTE: The above information is provided as a guide. Consult the National Fire Protection Association Pamphlet 58 for the safe storage and handling of liquefied petroleum gases. Governmental safety regulations in your locality could vary. Check with the authority having jurisdiction to be sure that you meet all of their requirements. Contact the manufacturer for detailed service information.

**SERVICE WORK SHOULD BE PERFORMED BY
QUALIFIED PERSONNEL ONLY.**

Refueling CNG Tanks

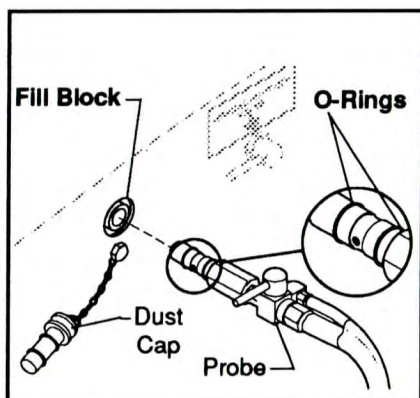


Contents of the CNG tank are under extreme pressure. When refueling be very cautious. Make sure there is NO Smoking, NO OPEN FLAMES. Make sure engine is turned off. CNG IS A HIGHLY FLAMMABLE GAS.

When refueling a (compressed natural gas) CNG system, follow these basic rules:

- Make sure you know and understand the proper procedure for filling a CNG fuel system.
- If you have any questions on refilling CNG tanks, please ask your supervisor.
- Refuel only in well ventilated areas.
- Make sure you refill your truck in an approved CNG fueling station.
- Apply the parking brake and turn the ignition switch to the OFF position.
- Checks for leaks.
- Never allow open flames.

Refueling Procedure: Your truck is equipped with a standard 1/2" fill block. The fueling station has a standard 1/2" fuel probe with a 2- or 3-position shut-off valve. Your truck and fueling station may be equipped with optional fueling adaptors. Make sure that you understand how to use them. If you have any questions, please ask your supervisor. For proper fueling procedures, follow the steps below.



IMPORTANT

Before refueling your CNG truck, examine the fueling probe and make sure the O-rings are not damaged or missing.

Follow these basic steps:

1. Remove the dust cover.
2. Insert the fuel probe into the fuel fill block. Make sure it is inserted all the way.
3. Slowly turn the valve to the full open position.
4. When the tank reaches full, the fueling station automatically shuts off. Your pressure gauge will read about 3000 psi. This is the maximum operating pressure.

Before disconnecting the fuel probe, it is necessary to vent the fuel line. You do this by turning the valve to the VENT position, pause, then turn the valve to the CLOSED position. The probe can now be easily removed from the fill block. Return the probe to its proper holder.

**CAUTION**

If leakage should occur, close the valve on the probe and have qualified personnel make repairs.

**WARNING**

THIS TRUCK RUNS ON COMPRESSED NATURAL GAS (CNG), A COLORLESS GAS STORED UNDER VERY HIGH PRESSURE. CNG IS LIGHTER THAN AIR. IT COLLECTS IN CLOSED PLACES. DO NOT ALLOW GAS TO ESCAPE INDOORS OR INTO CONFINED SPACES. FIRE AND EXPLOSION MAY RESULT CAUSING SEVERE INJURIES.

- Follow your employer's work rules for refueling, operating, inspecting, and parking trucks.
- To fill tank turn off key switch, lights and all truck accessories. No smoking, sparks or flames allowed.
- If you smell or hear leaks do not start truck. If you think CNG is leaking tell your supervisor immediately.
- If a leak starts at any time, or you see a fire, turn off emergency shut off or tank valve and key switch; tell your supervisor.
- Park only where your supervisor says it is safe. Turn off key switch, tank valve, and set parking brake.
- Fuel tanks must be periodically inspected and pressure tested. Inspect all lines and components for wear, damage, and secure routing.

ALL SERVICE WORK SHOULD BE PERFORMED BY QUALIFIED PERSONNEL ONLY.



Starting and Operating Procedures

Contents

Before Operating the Truck	5-2
Adjusting the Seat	5-3
Buckling Up	5-3
Starting from a Safe Condition	5-4
General Starting and Operating Tips	5-5
Starting the Engine	5-7
Positioning Forks and Upright	5-8
Selecting Direction of Travel	5-9
Using the Ground Speed Pedal (Accelerator)	5-11
Stopping the Truck	5-11
Inching	5-12
Operating Safely	5-12
Adjusting the Load Forks	5-15
Load Handling	5-15
Traveling with a Load	5-16
Picking Up and Moving Loads	5-17
Unloading	5-18
Stacking	5-19
Shut-Down Procedure	5-21

Before Operating the Truck

Be sure that you have read and understand the information in this *Operator's Manual* and are trained and authorized before operating the lift truck.

The *Operator's Manual* is stored in a compartment in the back of the seat. It is attached with a cable so that it can be used easily, but cannot be removed from the truck.



WARNING

- A lift truck can be dangerous if not used properly. Safe operation is the responsibility of the operator.
- Do not start or operate the truck, or any of its functions or attachments, from any place other than the designated operator's position.

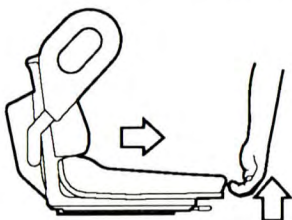
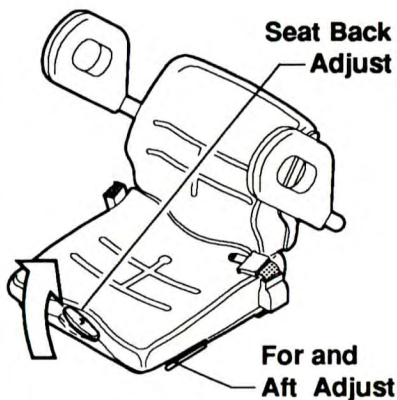
CAUTION

- Inspect your lift truck before operating at the start of each shift. Before putting your truck to use, check the operation of the controls and all systems.
- Protect yourself. Do not operate truck without a **DRIVER'S OVERHEAD GUARD** unless conditions prevent its use. Do not remove overhead guard unless specifically authorized. Use special care if operation without this safety device is required.

Seat Adjustment

The seat has two adjustments, it can be moved forwards or backwards by using the lever that is located on the right side under the seat. To unlock the seat, pull the lever upwards and adjust the seat so that all controls may be comfortably reached. Release the lever and make sure that the seat locks into position.

The seat back can also be adjusted to a comfortable operating position. You can do this by lifting on the front of the seat as shown, and pulling forward at the same time.

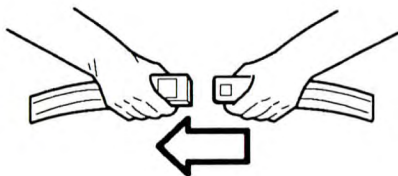


CAUTION

Never adjust the driver's seat while the truck is moving, to avoid the possibility of loss of control and of personal injury.

Buckling Up

Buckle up. Be sure that you put on the seat belt. Connect and adjust the seat belt strap to a snug, comfortable position.



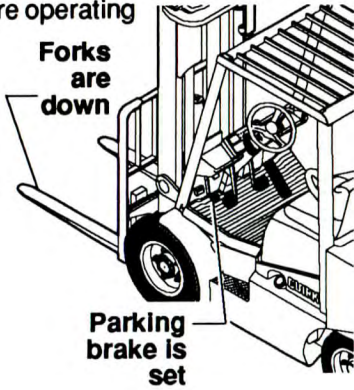
WARNING

Always wear your seat belt when operating a lift truck. Failure to wear the seat belt will result in injury or death in an event of an accident.

Starting from a Safe Condition

Always start from a safe condition. Before operating a lift truck, make sure that:

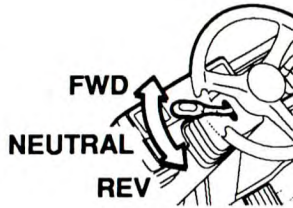
- You are safely seated in the truck.
- The parking brake is applied.
- The forks are fully lowered to the floor or ground.
- You are familiar with how all the controls function.
- All controls are in neutral or other correct position.
- The truck has received its daily inspection and is ready and safe to operate.



Put the direction control in the NEUTRAL position before starting.

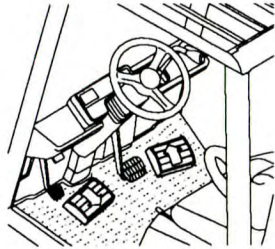
Direction Control Lever (std)

The lever on the steering column is in the center position.



Two Pedal Control

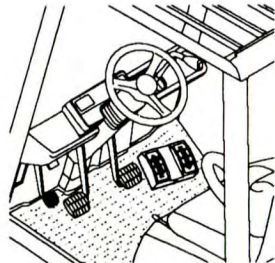
On the two pedal, neutral is achieved with no pedal contact.



Unitrol Pedal

In the case of the Unitrol Pedal, neutral is achieved only when the park brake is applied.

The truck should start only with the park brake applied. If it starts in with the brake off, have the truck serviced.



General Starting and Operating Tips

Before you start the truck, make sure that you have taken all the above-mentioned precautions, you have read this manual, you are starting from a safe condition, with the directional control in NEUTRAL, the seat adjusted, and your seat belt buckled.



WARNING

INSPECT YOUR LIFT TRUCK BEFORE OPERATING at the start of each shift. Before you put your truck to use, check the operation of the controls and all systems.

Turn off any lights or optional electrical equipment while you crank the engine. This reduces the electrical load on your battery.

Avoid excessive starter cranking (in excess of 30 seconds). To avoid starter overheating or damage, do not crank the starter continuously for more than 30 seconds at a time. If the engine fails to start, wait two to three minutes before again attempting to start your lift truck.

If your battery is "run down" (discharged) or becomes discharged while you try to start your truck, please refer to Section 6, "Emergency Starting and Towing," in this manual.

To avoid damage to your truck or possible harm to yourself. Follow these recommendations:

IMPORTANT

Parking brake must be applied to perform the following procedures with the 2 pedal or Unitrol controls.

- Warm the engine up before driving or applying a load. Idle engine at 650-750 RPM (*diesel*) and 600-650 RPM (*gas/LPG/CNG*) for a few minutes to circulate and warm the oil. Then increase speed to approximately half-throttle for a short period or until the engine coolant reaches approximately 100°F. This procedure helps prolong engine life.
- Let the engine run until the normal operating temperature is reached. Then operate the controls and check all gauges and warning indicators to be sure they are functioning properly. Stop the engine and make a visual inspection for oil, water, or fuel leaks.
- Do not operate the engine at speeds above idle for more than brief periods without a load.
- Do not run the engine at maximum power continuously until the engine is fully warmed up.

- Never operate the engine at more than the regular no-load governed speed. Excessive speeds are harmful.

NOTICE

The governor is set at the factory and should need no adjustment.

- Avoid extended (in excess of 10 minutes) and unnecessary idling of the engine. Turn off the engine instead.
- **Carbon monoxide** is colorless and odorless, but can be present with all other exhaust fumes.



WARNING

Exhaust gases are harmful and can cause serious injury or death. Proper ventilation is always necessary for safe inside operation or warm-up.

IMPORTANT

Due to the precise tolerances of diesel injection systems, it is extremely important that the diesel fuel be kept clean and free of dirt or water. Dirt or water in the system can cause severe damage to both the injection pump and the injection nozzles.



LPG or CNG trucks only: Slowly open the shut-off valve on the fuel tank.

NOTICE

OPEN THE TANK SHUT-OFF VALVE SLOWLY. If it is opened too quickly, the automatic safety check valve will close and the engine will not start. If this happens, close the shut-off valve and wait two to three minutes. Then, open the shut-off valve slowly.

Starting the Engine

1. Start from a safe condition: Before you start the truck, safely seat yourself on the truck, fasten seat belt, apply the parking brake, make sure all controls are in neutral or other correct position, lower the forks fully to floor or ground, put the direction control lever in NEUTRAL, and make sure you know how to operate the truck and all its controls.

Cold Start (Gasoline Only)

When starting the "gasoline" engine, especially when cold, you may need to set the automatic choke. To do this you depress the accelerator pedal down fully once to the floor. This sets the fast idle. When the engine reaches the proper operating temperature, the idle returns to normal RPM.

Cold Start Preheating (Diesel Only)

With the switch in the "ON" position the indicator will light up showing the glow plugs are pre-heating automatically, after 6 seconds the indicator light will go out. The engine can then be started. For improved starting, pre-heating is continued for about 5 seconds after the indicator light has gone out. To repeat the preheating process turn the key to the "OFF" and then into the "ON" position.



DANGER

DO NOT USE STARTING FLUID to help start an engine. The fluid contains ether or other explosive substances that could cause serious injury. Starting fluid is especially dangerous when used on engines with glow plugs. Never use starting fluid with a glow plug equipped engine.

2. Turn the key/start switch to the START position to crank the engine. Release the key to the RUN position and return the accelerator to idle as soon as the engine starts.

IMPORTANT

If the engine stalls or falters in starting, wait three or four seconds before re-engaging the starter. This prevents possible serious damage to the starter or engine.

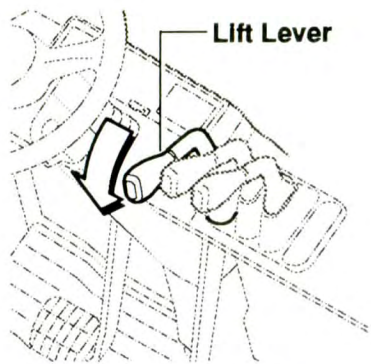
3. When starting a cold engine, increase the engine speed (RPM) slowly to be sure adequate lubrication is available to the bearings and to allow the oil pressure to stabilize.
4. Idle the engine three to five minutes at 1,000 RPM before operating with a load.

Positioning Forks and Upright

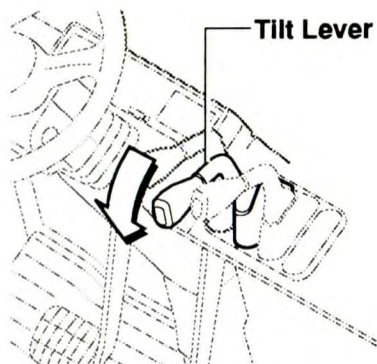
IMPORTANT

Lift, tilt and aux. levers when actuated, will automatically raise the engine RPM. This feature helps provide increased hydraulic function speed without affecting truck ground speed.

When driving, with or without a load, it is a good practice to always raise the forks slightly and tilt the upright (forks) backward. Raising the forks and tilting them back prevents the fork tips from catching on possible obstructions and reduces the wear on the fork blades from striking or dragging on the floor or ground. See safety messages on next page.



Pull back on the lift control lever and raise the forks 6 to 8 inches (152 to 203 mm) above the floor. Then, using the tilt control, tilt the upright back slightly to raise the fork tips.



The amount of forward and rearward tilt to be used is governed by the application.



CAUTION

When the upright (carriage and/or load) is raised into a high (elevated) position, the stability of the truck is reduced. Some of the other conditions that may affect stability are ground and floor conditions, grade, speed, loading, dynamic and static forces, and the judgement exercised by the operator. Trucks equipped with attachments behave as partially loaded trucks even when operated without a load on the attachment. Also, improper operation, faulty maintenance, or poor housekeeping may contribute to a condition of instability.



CAUTION

For stability, do not travel with the load or carriage in a highly elevated position. Travel with the lift mechanism raised only enough to clear the ground or obstacles.

Selecting Direction of Travel

NOTE

Your lift truck could be configured one of three ways:

- Standard configuration is similar to an automotive or common lift truck application.
- Two pedal configuration has designated pedals that control forward and reverse movements.
- Unitrol pedal controls forward and reverse and in one pedal.

IMPORTANT

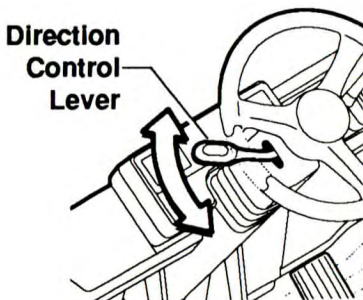
Releasing the pedals will cause the truck to de-accelerate and stop.

Standard Operating Controls

Push the direction control lever forward, center it, or pull it back for FORWARD, NEUTRAL, or REVERSE, respectively.

NOTE

Traction is disabled in NEUTRAL

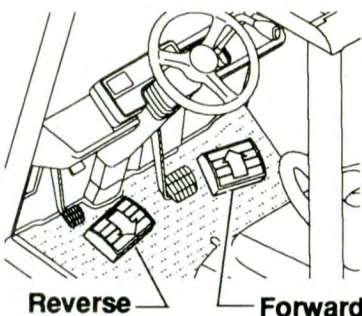


Two Pedal Control

Selecting the desired direction of travel is done by choosing the FORWARD or REVERSE pedals.

Forward

To select and move the truck in the forward direction you must push down on the FWD (right-side) pedal. The farther the pedal is depressed the faster the lift truck will go in forward.



Reverse

To select and move the truck in the reverse direction you must push down on the REV (left-side) pedal. The farther the pedal is depressed the faster the lift truck will go in reverse.

Neutral

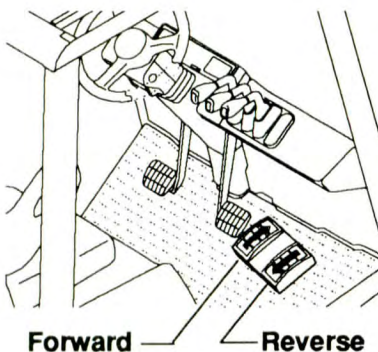
Neutral can be achieved by removing both feet from the FWD and REV pedals.

Unitrol Pedal

With the Clark Unitrol the directional control lever is no longer located on the steering pylon.

Forward

To select and move the truck in the forward direction you must push down on the (FWD arrow) left-side of the Unitrol pedal. The farther the pedal is depressed the faster the lift truck will go in forward.

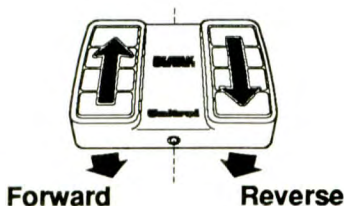


Reverse

To select and move the truck in the reverse direction you must push down on the (REV arrow) right side of the Unitrol pedal. The farther the pedal is depressed the faster the lift truck will go in reverse.

Neutral

The Unitrol pedal activates only FORWARD and REVERSE. Neutral is activated only when the parking brake is set.



Ground Speed Control (acceleration)

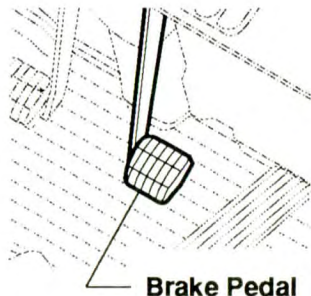
With the parking brake released and the direction control in FORWARD or REVERSE, put your foot on the pedal (depending on configuration), push down smoothly until the truck is moving at the desired speed.

Stopping the Truck

Releasing the travel pedals will cause the truck to decelerate and stop.

IMPORTANT

The preferred method of braking is to lift your foot from the direction or ground speed pedal, the truck will then come to a stop.



The conventional brake pedal can be used to stop the truck if necessary. The brake pedal should be used to hold the truck on a ramp or incline.

IMPORTANT

The Clark Hydrostatic Lift Truck uses the pump as dynamic braking to slow down and stop the trucks direction of travel. The brake pedal can still be used in extreme conditions.

**CAUTION**

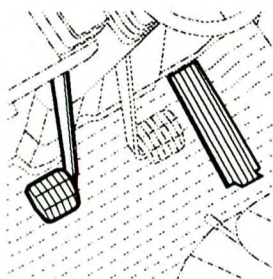
Stop the lift truck as gradually as practical. Hard braking and wheel sliding are dangerous, increase wear, and can cause you to loose a load and damage to the lift truck. Can cause tip-over.

Preferred Method of Inching

Hydraulic lever functions (lift, tilt and aux.), when actuated, will automatically raise the engine RPM. This feature helps provide increased function or hydraulic speed without the need for "conventional inching". The raised engine speed due to the hydraulic's being actuated will not effect the trucks ground speed.

Conventional Inching

Use the inching/brake pedal and accelerator in combination to vary lift and travel speeds independently. With the inching pedal fully depressed, the brakes fully engage. You operate the inching pedal with your left foot for precise control of travel speed, with the lift control to vary lift speed.



IMPORTANT

Ground speed is controlled by the accelerator pedal only.

Operating Safely

Safe operation is the responsibility of the operator.

Watch where you are going. Don't go if you can't see...

Before driving, check all around to be sure that your intended path of travel is clear of obstructions and pedestrians.



WARNING

LOOK WHERE YOU DRIVE. Watch out for pedestrians, other vehicles, obstructions (especially overhead), and drop-offs. If the load blocks your view, drive backwards, except up slopes.

Do not allow anyone to stand or pass under the load or raised forks. Watch for people in your work area even if your truck has warning lights or alarms. They may not watch for you.

Sound horn at intersections and wherever vision is obstructed. Do not drive a truck up to anyone standing in front of an object.

Protect yourself and those around you...

Operate the truck only from the designated operator's position. Stay within the confines of the lift truck profile dimensions. Keep all body parts inside the operator's compartment and away from the danger of passing obstructions. Keep under the overhead guard.

NOTICE

An **OVERHEAD GUARD** is intended to offer protection to the operator from falling objects, but cannot protect against every possible impact. Therefore, it should not be considered a substitute for good judgement and care in loading, handling, storage, etc.



WARNING

Keep clear of the upright and lift mechanism. **NEVER** reach into or put hands, arms, legs, or head into or through the upright structure or near the carriage or lift chains. Never put any part of your body between the upright and the truck. Don't use the upright as a ladder. Keep all other persons clear of the load and upright mechanism while attempting to handle a load.

No riders...

Do not carry passengers. The operator is the only one who should be on the truck.

Always be in full control of your lift truck...

Never operate a lift truck or its attachments if you are not in the designated operator's position.

Never operate a lift truck when your hands and feet are wet or greasy.

Always pick the smoothest travel route for your lift truck. Avoid bumps, holes, slick spots, and loose objects or debris in your path that may cause the truck to swerve or tip. If these conditions are unavoidable, slow down and carefully drive past them. Slow down for wet or slippery surfaces.

Avoid any sudden movement, it can cause the machine to tip-over. Start, stop, travel, steer, and brake smoothly.

Operate your lift truck under all conditions at a speed that will permit it to be brought safely to a stop.

Travel with the fork carriage tilted back and raised only enough to fully clear the ground or obstacles. When the carriage (load) is in an elevated position the stability of the truck is reduced.

Do not elevate the load except during stacking.

Grades, ramps, and inclines...

Use special care when operating on ramps, inclines, and uneven areas. Travel slowly. Travel straight up and down. Do not turn or drive at an angle across an incline or ramp. Do not attempt to operate on grades in excess of those specified and/or recommended by the manufacturer.

When the truck is loaded, travel with the load upgrade. When the truck is empty, travel with lifting mechanism (upright) downgrade.

Always brake with the right foot pedal (not with the inching pedal) when travelling down an incline.

Practice safe operation every time you use your truck...

Careful driving and operation is your responsibility. Be completely familiar with all the safe driving and load handling techniques in this Operator's Manual. Use common sense. Drive carefully; do not indulge in stunt driving or horseplay. Observe traffic rules. Watch for people and hazards. Slow down. Be in full control of your lift truck at all times.

Follow the instructions in this manual to avoid damage to your truck or the possibility of injury to yourself or others.

During your work, observe all functions of your lift truck. This allows you to immediately recognize a problem or irregularity that could affect the safe operation of your truck.

Periodically check the gauges and warning indicator lights in the instrument panel to be sure they indicate a normal condition. If an abnormal condition appears bring the machine to a safe condition and safe location, shut off the key switch immediately and report the problem.

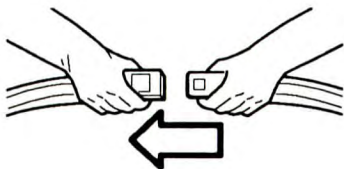


CAUTION

Do not continue to operate a truck that has a malfunction. Stop and have it fixed.

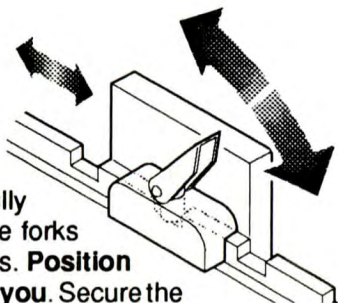
IMPORTANT

Always wear your seat belt when operating your lift truck.



Adjusting the Load Forks

The load forks are adjustable on the hanger, carriage. Forks should be spaced as far apart as the load will allow. Both forks should always be the same distance from the center of the fork carriage. To adjust the forks, raise the carriage slightly. Tilt the upright fully forward to reduce friction and make the forks slide easier. Unlock the fork locking pins. **Position the forks by pushing them away from you.** Secure the fork locking pins.



CAUTION

Make sure the load backrest (LBR) or fork retaining bolts are fastened securely in place.

Load Handling

Handle only loads that are within the truck rated capacity as shown on the nameplate. This rating specifies the maximum load that should be lifted. However, other factors such as special load handling attachments, loads having a high center of gravity, or uneven terrain may dictate that the safe working load be less than the rated capacity. Under these conditions, the operator must reduce the load carried so that the lift truck remains stable.

Handle only stable or safely arranged loads. Do not handle loads made up of loose, unevenly stacked, or unstable items that can easily shift and fall. Take the time to correctly stack and band loose items. Center the load on the forks.

Do not lift anything that might fall on the operator or a bystander. Do not handle loads that are higher than the fork carriage unless the load is secured so that no part of it can fall backward.

Keep the load back against the LBR. Loads placed out on the ends of the forks can make the lift truck less stable and more likely to tip up.

Lift and lower with the upright mast vertical or tilted slightly back—**never tilted forward.**

Operate lift and tilt controls slowly and smoothly. Never tilt the upright forward when the carriage (load) is raised, except to pick up or deposit a load over a rack or stack.



WARNING

Slack chains mean rail or carriage hang-up. Raise the upright before you move. If the upright malfunctions in any way or becomes stuck in a raised position, operate the lift control to eliminate any slack chains by raising the carriage. DO NOT go under a raised upright or forks to attempt repairs. Do not climb the upright or the truck.

Remember, your lift truck is designed to carry loads forward of the front wheels so that the weight of the load is counterbalanced by the weight of the truck.

The farther the load is carried from the pivot point (center of front wheels), the less the weight on the steer wheels. Therefore, always carry the load as close to the front wheels as possible (back and flush against the face of the forks).

The capacity load shown on the nameplate is represented by a cube in which the weight is evenly distributed, with the center of gravity located a standard distance from the face of the forks. If the weight of the actual load to be handled is not evenly distributed, put the heaviest part closest to the carriage.

Traveling with a Load

Travel with load or carriage as low as possible and tilted back. Never travel with the load or carriage raised (elevated) in a high position. Do not elevate the load except during stacking.

Observe all traffic regulations and watch for other traffic, pedestrians, and safe clearances. Always look in the direction of travel. Keep a clear view of the path of travel, and when the load blocks your visibility, travel in reverse with load trailing (except when climbing an incline).

Avoid sudden movements when carrying a load—start, stop, travel, steer, and brake smoothly. Steer clear of bumps, holes, and loose materials or debris on the ground. Lift and tilt slowly and smoothly. Go slowly when turning. Cross railroad tracks slowly and at an angle wherever possible.

Use special care when handling and traveling with long, high, or wide loads—to avoid losing the load, striking bystanders or obstructions, or tipping the truck.

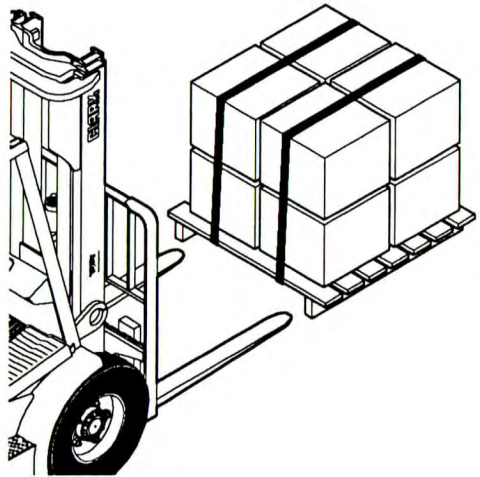
Watch clearances around the truck and load as you travel. Raise the forks or attachment only to pick up or stack a load. Look out for obstructions, especially overhead.

Be aware that exaggerated tail swing, when turning while traveling forward, is a characteristic of lift trucks that are steered by the rear wheels. Accordingly, you need to become accustomed to tail swing and always check the tail swing area of the counterweight to be sure it is clear before you turn.

Always be concerned about the stability of your lift truck. When attachments are used, extra care should be taken in securing, manipulating, positioning, and transporting the load. Because attachments generally add extra weight and complexity to the truck, operate trucks equipped with attachments as partially-loaded trucks when not handling a load.

Picking Up and Moving Loads

When picking up a load from the ground, approach the load slowly and carefully align the truck square with the load. The forks should be adjusted to fit the load or pallet being handled and spread as wide as possible to provide good stability and balance. Before lifting, be sure the load is centered and the forks are fully under and supporting the load. Fork length should be at least $\frac{2}{3}$ of load length. With the lift and tilt controls, adjust the forks to the correct height and angle for freely engaging the load pallet. Move forward until the forks are squarely and completely under the load.



NOTICE

Be sure that the forks do not extend beyond the load, causing damage or tipping of other adjacent loads or materials behind the load being moved.

If the forks are longer than the load, move the tips partially under the load without extending beyond the load. Raise the load to clear the ground. Back out several inches, or whatever distance is necessary, then set the load down and move forward until the load is positioned against the carriage.

Raise the load from the ground or stack by tilting the upright back just enough to lift the load from the surface. When stacking or tiering, use only enough backward tilt to stabilize the load.

Then raise the load to traveling height and tilt fully back to travel (except for loads that must be transported as level as possible).

Unloading

To deposit a load on the floor after being moved into the correct position, tilt the upright forward to a vertical position and lower the load.

Adjust the fork height and tilt the upright forward slightly, as necessary, for smooth removal of the forks from the load (pallet).

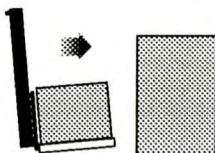
Carefully back away to clear the forks from the load.

Raise the forks to traveling height and tilt forks to a level position 6-8 inches (152-203 mm) off the floor.

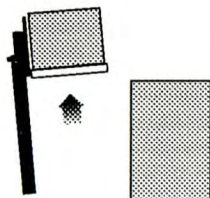
Stacking

To put a load on a stack:

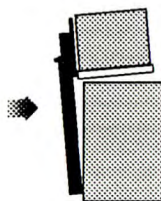
1. Approach slowly and align the lift truck and load squarely with the stack.



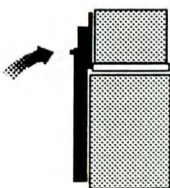
2. Raise the load as the lift truck nears the stack.



3. Move forward slowly until the load almost touches the stack. The leading edge and sides of the load pallet should line up exactly with the near edge and side of the load or rack on which you are stacking.

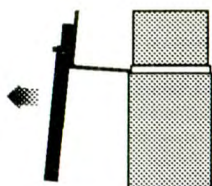


4. Stop close to the stack and further lift the load high enough to clear the top of the stack. Slowly move the load into position. Use care not to damage or move adjacent loads.

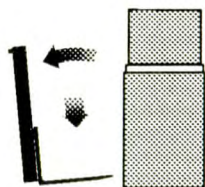


5. When the load is aligned with the stack beneath it, tilt the upright to the vertical position and carefully lower the load onto the top of the stack.

6. Lower the forks slightly to clear the load pallet. Tilt the forks forward slightly, if necessary.



6. Check your travel path, then carefully back away until the forks are clear of the stack. Stop and lower the forks to the travel position (6 to 8 inches [152-203 mm] above the ground), then tilt back for travel.



To move a load from a stack:

Approach the stack carefully, truck lined up squarely with the load. With upright mast vertical, raise the forks to the correct height for freely engaging the load pallet. Adjust fork angle as necessary to fit squarely under the load. Move (inch) forward until the forks are under the load.

Be sure that the forks do not extend beyond the load, causing damage or tipping of other adjacent loads or materials behind the load being moved. If the forks are longer than the load, move the tips partially under the load without extending beyond the load. Raise the load to clear the under surface. Back out several inches, then set the load down and move forward until the front face of the forks contacts the load. Be careful that the fork tips now clear the adjacent load or material behind the load being moved.

Raise the load from the stack by tilting the upright back just enough to lift the load from the surface. Or, with the mast still vertical, raise the forks until they begin to lift the load. At this point, apply the minimum back tilt that will stabilize the load.

Check your travel path, slowly back up until clear of the stack, stop, and then lower the load to the travel position (6 to 8 inches [152-203 mm] off the ground). Tilt full back to travel (except for certain loads that may have to be transported as level as possible). Be sure the load is back flush against the carriage or front face of the forks.

NOTICE

Certain loads must be transported as level as possible.

Shut-Down Procedure

Always leave your lift truck in a safe condition. When you leave your truck, or park it, follow these safety rules:

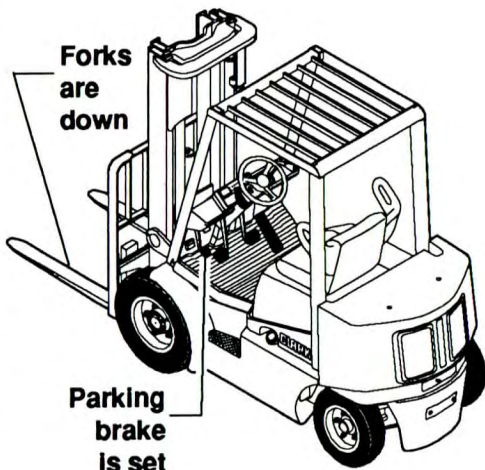
- Park in a safe area away from normal traffic.
- Never park on a grade.
- Never park in areas that block emergency routes or equipment, access to fire aisles, or stairways and fire equipment.

Before leaving the operator's position:

1. Bring the truck to a complete stop.
2. Put the directional control lever in the NEUTRAL position. (*Std Control Only*)
3. Apply the parking brake.
4. Lower the lifting mechanism—carriage and forks or attachment—fully to the ground.

In addition, when leaving the truck unattended:

5. Tilt the upright forward until the forks are level and flat on the ground. Let the engine run at idle speed.
6. **If CNG- or LPG-fueled:** Close the shut-off valve at the fuel tank and let the truck run until it uses up the fuel remaining in the line.
7. Turn the key/start switch to the OFF position and remove the key.
8. Block the wheels, if the truck must be left on an incline or you have any doubt about the truck moving from a safe position.



IMPORTANT

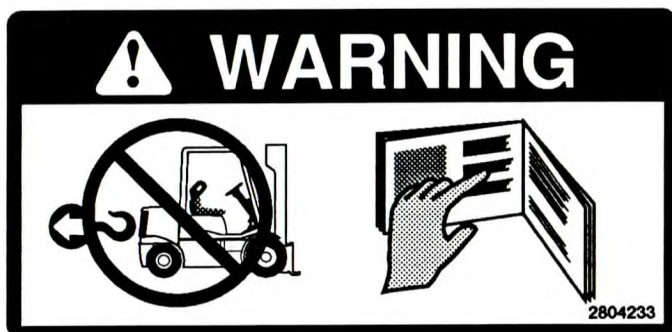
If the lift has been working hard, let the engine idle a few minutes before shutting it off.

Emergency Starting and Towing

Contents

Towing a Hydrostatic Disabled Truck	6-2
How to Use Battery Jumper Cables	6-3

Towing a Disabled Hydrostatic Truck



Clark does not recommend towing a disabled Hydrostatic lift truck without first consulting your service manual.

CAUTION

If the Hydrostatic lift truck can not be moved under its own power you should have a trained and authorized mechanic look at it immediately. If a disabled hydrostatic lift truck is moved or towed by an unauthorized person, the result could be serious damage to the Hydrostatic drive train.

Park the disabled truck in authorized areas only. Fully lower the forks to the floor, put the directional control in the NEUTRAL position and turn the ignition switch to the OFF position. Engage the parking brake. Remove the ignition key and, when necessary, block the wheels to prevent the truck from rolling.

LIFT TRUCK PARKING



WARNING

Always engage the parking brake when parking a lift truck. The truck can move and cause injury or death to personnel near it.

How to Use Battery Jumper Cables

If your lift truck battery is discharged ("dead"), you can start your lift truck by "jumping" it from another lift truck that has a 12-volt, negative-ground electrical system. The "booster" battery must be fully charged and in good condition. This section explains how to perform this procedure safely. To avoid damage to your lift truck and your battery or the possibility of harm to yourself, follow the instructions and warnings carefully. If you have any doubts, ask for help from an experienced mechanic.

If your truck has a battery with terminals on the side you will need a set of jumper cables with matching connector clamps or cable adapters for side-mounted battery terminals.



CAUTION

USE ONLY A 12-VOLT, NEGATIVE GROUND SYSTEM to jump your truck. You can injure yourself and permanently damage your truck's 12-volt starting motor and ignition system by connecting it to a 24-volt power supply (two 12-volt batteries in series or a 24-volt generating set) or to a positive-ground system.



WARNING

BATTERIES CONTAIN SULFURIC ACID. Avoid acid contact with skin, eyes, or clothing. If acid contacts your eyes or skin, flush immediately with water and get medical assistance. Wear safety glasses when working near the battery to protect against possible splashing of the acid solution.

1. If the discharged battery has filler caps, check the fluid level. Do not use an open flame to check and do not smoke. If low, add distilled water to the correct level. Be sure to install the caps before jump starting.

Do not jump start, charge, or test a sealed-type battery if the test indicator looks illuminated or has a bright color. Install a new battery.



WARNING

BATTERIES EMIT EXPLOSIVE GAS. Do not smoke or have open flames or sparks in battery charging areas or near batteries. An explosion can result and cause injury or death.

Hydrogen gas is produced during normal battery operation. Hydrogen can explode if flames, sparks, or lighted tobacco are brought near the battery. When charging or using a battery in an enclosed space, always provide ventilation and shield your eyes. Wear safety glasses when working around batteries.

3. Put the truck with the booster battery as near to the other truck as necessary for the jumper cables to reach both batteries. Check and make sure that the trucks do not touch each other. **Use particular care when connecting a booster battery to prevent sparks.**
4. On both trucks:
 - a. Apply the parking brake.
 - b. Put the directional control lever in the NEUTRAL position.
 - c. Turn the key/start switch to the OFF position.
 - d. Turn all accessories to the OFF position and leave them off until after the engine has been started and the jumper cables have been removed.

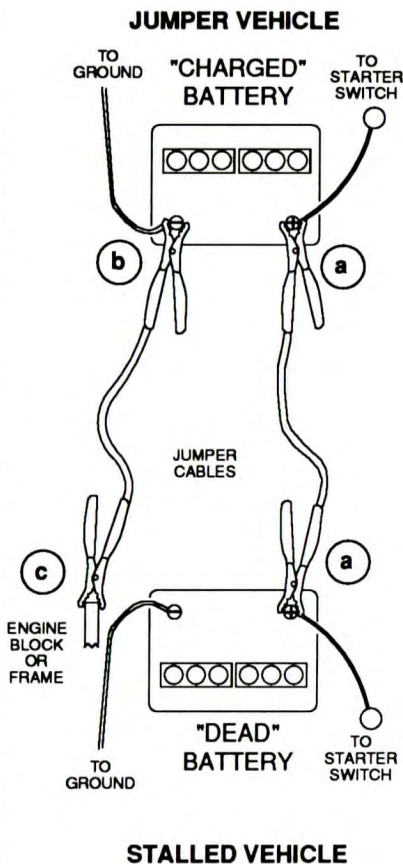


WARNING

To avoid **SHORT CIRCUITS**, remove all jewelry and do not permit any metal tools to make contact between the positive battery terminal and other metal on the truck. When you connect jumper cable clamps to the positive terminals of the two batteries, make sure that neither clamp contacts any other metal. Injury can occur from electrical shock or explosion.

5. Connect the jumper cables in the following sequence:

- a. Connect a jumper cable from the positive (+; red) terminal on one battery to the positive (+; red) terminal on the other battery. Never connect positive (+; red) to negative (-; black), or negative to positive.
- b. Connect one end of the second cable to the grounded negative (-; black) terminal of the "Jumper Vehicle" battery.
- c. Connect the other end of the second cable to a stationary, solid metallic point **on the engine** of the "Stalled Vehicle," **not to the negative (+; black) terminal** of its battery. Make this connection at a point at least 18 inches (450 mm) away from the battery, if possible. Do not connect it to pulleys, fans or other parts that move. Do not touch hot manifolds that can cause severe burns.



6. Start the engine on the "Jumper Vehicle" and run the engine at a moderate speed for a minimum of five minutes.
7. Start the engine on the "Stalled Vehicle." Follow the starting instructions in Section 5, "Starting and Operating Procedures" in this manual. Be sure that the engine is at idle speed before disconnecting the jumper cables.
8. Remove the jumper cables by reversing the installation sequence exactly. Start by removing the last jumper cable from the stalled vehicle first. Remove the cable end from the engine block first, then the other end of the negative (-; black) cable.
9. Remove both ends of the positive (+; red) cable.



Planned Maintenance and Lubrication

Contents

Introduction	7-2
Safe Maintenance Practices	7-3
Major Component Locations	7-8
Planned Maintenance Intervals	7-9
PM Report Form	7-11
How to Perform Planned Maintenance	7-12
Visual Inspection	7-12
Functional Tests	7-16
Fluids, Filters, and Engine Accessories	7-20
Lubrication	7-24
Air Cleaning	7-25
Critical Fastener Torque Checks	7-26
Lift Chain Maintenance	7-26

NOTICE

THIS SECTION IS FOR TRAINED SERVICE PERSONNEL to use as a reference for Planned Maintenance procedures. Complete maintenance information is in Service Manual SM598.

Maintenance information for operators is in Section 4, "Operator Maintenance and Care."

Introduction

NOTICE

ONLY TRAINED AND AUTHORIZED PERSONNEL should perform Planned Maintenance. Local CLARK dealers are prepared to help customers put in place a Planned Maintenance program for checking and maintaining their lift trucks according to applicable safety regulations.



CAUTION

Powered Industrial trucks may become hazardous if maintenance is neglected.

As outlined in Section 4, "Operator Maintenance and Care," the operator should make a safety inspection of the lift truck before operating it. The purpose of this daily examination is to check for any obvious damage and maintenance problems, and to have minor adjustments and repairs made to correct any unsafe condition.

In addition to the operator's daily inspection, CLARK recommends that the owner set up and follow a periodic planned maintenance (PM) and inspection program. Performed on a regular basis **by trained personnel**, the program provides thorough inspections and checks of the safe operating condition of the lift truck. "The PM" identifies needed adjustments, repairs, or replacements so they can be made before failure occurs. The specific schedule (frequency) for the PM inspections depends on the particular application and lift truck usage.

This Section recommends typical Planned Maintenance and Lubrication Schedules for items essential to the safety, life, and performance of the truck. It also outlines safe maintenance practices and gives brief procedures for inspections, operational checks, cleaning, lubrication, and minor adjustments.

Specifications for selected components, fuel, lubricants, critical bolt torques, refill capacities, and settings for the truck are found in Section 8.

If you have need for more information on the care and repair of your truck, see you CLARK dealer.

Safe Maintenance Practices

The following instructions have been prepared from current industry and government safety standards applicable to industrial truck operation and maintenance. These recommended procedures specify conditions, methods, and accepted practices that aid in the safe maintenance of industrial trucks. They are listed here for the reference and safety of all workers during maintenance operations. Carefully read and understand these instructions and the specific maintenance procedures before attempting to do any repair work. When in doubt of any maintenance procedure, please contact your local CLARK dealer.

1. Powered industrial trucks can become hazardous if maintenance is neglected. Therefore, suitable maintenance facilities and trained personnel and procedures shall be provided.
2. Maintenance and inspection of all powered industrial trucks shall be performed in conformance with the manufacturer's recommendations.
3. Follow a scheduled planned maintenance, lubrication, and inspection system.
4. Only trained and authorized personnel are permitted to maintain, repair, adjust, and inspect industrial trucks—and must do so in accordance with the manufacturer's specifications.
5. Always wear safety glasses. Wear a safety (hard) hat in industrial plants and in special work areas where protection is necessary and required.
6. Properly ventilate work area, vent exhaust fumes, and keep shop clean and floors dry.
7. Avoid fire hazards and have fire protection equipment present in the work area. Do not use an open flame to check for level or leakage fuel, electrolyte, or coolant. Do not use open pans of fuel or flammable cleaning fluids for cleaning parts.
8. Before starting work on truck:
 - a. Raise drive wheels free of floor and use oak blocks or other positive truck positioning devices.
 - b. Remove all jewelry (watches, rings, bracelets, etc.).

-
- c. Put oak blocks under the load-engaging means, innermasts, or chassis before working on them.
 - d. Disconnect the battery ground cable (-) before working on the electrical system.

NOTICE

Refer to the "Jacking and Blocking" section in the Service Manual for proper procedures.

9. Operation of the truck to check performance must be conducted in an authorized, safe, clear area.
10. Before starting to operate the truck:
 - a. Be seated in a safe operating position and fasten your seat belt.
 - b. Make sure parking brake is applied.
 - c. Put the direction control in NEUTRAL.
 - d. Start the engine.
 - e. Check functioning of lift and tilt systems, direction and speed controls, steering, brakes, warning devices, and load handling attachments.
11. Before leaving the truck:
 - a. Stop the truck.
 - b. Fully lower the load-engaging means: upright, carriage, forks or attachments.
 - c. Put the directional control in NEUTRAL.
 - d. Apply the parking brake.
 - e. Stop the engine.
 - f. Turn the key switch to the OFF position.
 - g. Put blocks at the wheels if the truck must be left on an incline.
12. Brakes, steering mechanisms, control mechanisms, warning devices, lights, governors, lift overload devices, lift and tilt mechanisms, articulating axle stops, load back rest, overhead guard and frame members must be carefully and regularly inspected and maintained in a safe operating condition.

13. Special trucks or devices designed and approved for hazardous-area operation must receive special attention to insure that maintenance preserves the original approved safe operating features.
14. Fuel systems must be checked for leaks and condition of parts. Extra special consideration must be given in the case of a leak in the fuel system. Action must be taken to prevent the use of the truck until the leak has been corrected.
15. All hydraulic systems must be regularly inspected and maintained in conformance with good practice. Tilt and lift cylinders, valves, and other parts must be checked to assure that "drift" or leakage has not developed to the extent that it would create a hazard.
16. When working on the hydraulic system, be sure the engine is turned off, upright is in the fully-lowered position, and hydraulic pressure is relieved in hoses and tubing.



WARNING

Always put oak blocks under the carriage and upright rails when it is necessary to work with the upright in an elevated position.

17. The truck manufacturer's capacity, operation, and maintenance instruction plates, tags, or decals must be maintained in legible condition.
18. Batteries, limit switches, protective devices, electrical conductors, and connections must be maintained in conformance with good practice. Special attention must be paid to the condition of electrical insulation.
19. To avoid injury to personnel or damage to the equipment, consult the manufacturer's procedures in replacing contacts on any battery connection.
20. Industrial trucks must be kept in a clean condition to minimize fire hazards and help in detection of loose or defective parts.

-
21. Modifications and additions that affect capacity and safe truck operation must not be done without the manufacturer's prior written approval. This is an OSHA requirement. Capacity, operation, and maintenance instruction plates, tags, or decals must be changed accordingly.
 22. Care must be taken to assure that all replacement parts, including tires, are interchangeable with the original parts and of a quality at least equal to that provided in the original equipment. Parts, including tires, are to be installed per the manufacturer's procedures. Always use genuine CLARK or CLARK-approved parts.
 23. When removing tires follow industry safety practices. Most importantly, deflate pneumatic tires completely prior to removal. Following assembly of tires on multi-piece rims, use a safety cage or restraining device while inflating. *See SM598 Group 22 Section 3*
 24. Use special care when removing heavy components, such as counterweight, upright, etc. Be sure that lifting and handling equipment is of the correct capacity and in good condition. Machine is to be correctly blocked, stable and will not tip.

IMPORTANT

Your new CLARK lift truck has been built to meet all applicable mandatory requirements of ANSI B56.1 Safety Standard for Powered Industrial Trucks. Each truck also includes certain safety devices—such as horn, overhead guard, and load back rest—as standard equipment. No additions, omissions, or modifications should be made that affect compliance to the above requirements or in any way minimize the effectiveness of the safety devices.

NOTICE

You should be familiar with additional operating and maintenance safety instructions contained in the following publications:

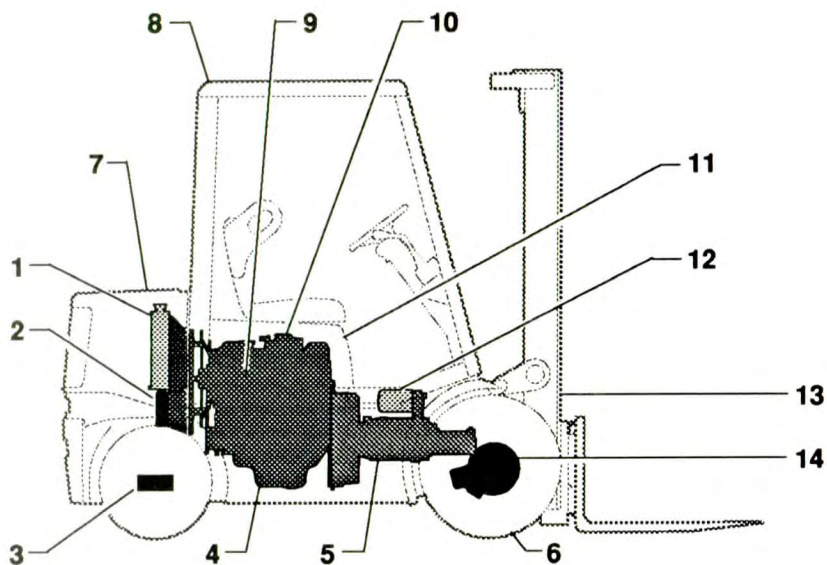
ANSI/ASME B56.1 - 1988: Safety Standard for Low Lift and High Lift Trucks (Safety Code For Powered Industrial Trucks). Published by: Society of Mechanical Engineers, United Engineering Center, 345 E. 47th Street, New York, NY 10017.

NFPA 505-1982: Fire Safety Standard for Powered Industrial Trucks: Type Designations, Areas of Use, Maintenance and Operation. Available from National Fire Protection Association, Inc., Batterymarch Park, Quincy, MA 02269.

General Industrial Standards, OSHA 2206: OSHA Safety and Health Standards (929 CFR 1910), Subpart N-Materials Handling and Storage, Section 1910.178 Powered Industrial Trucks. For sale by: Superintendent of Documents, US Government Printing Office, Washington, DC 20402.

Major Component Locations

Use the illustration below to help locate components included in the PM procedures.



- | | |
|----------------------------|----------------------------|
| 1. Engine Cooling | 8. Overhead Guard |
| 2. Hydrostatic Cooling | 9. Exhaust |
| 3. Steer Axle | 10. Carburetion |
| 4. Engine | 11. Sheet Metal |
| 5. Hydrostatic Pump | 12. Hydrostatic Filter |
| 6. Wheels and Tires | 13. Upright and Carriage |
| 7. Frame and Counterweight | 14. Hydrostatic Drive Axle |

Planned Maintenance Intervals

Time intervals between maintenances are largely determined by operating conditions. For example, operation in sandy, dusty locations requires shorter maintenance intervals than operation in clean warehouses. The indicated intervals are intended for **normal** operation. The operating condition classifications are:

Normal Operation

Eight-hour material handling, mostly in buildings or in clean, open air on clean paved surfaces.

Severe Operation

Prolonged operating hours or constant usage.

Extreme Operation

- In sandy or dusty locations, such as cement plants, lumber mills, and coal dust or stone crushing sites.
- High-temperature locations, such as steel mills and foundries.
- Sudden temperature changes, such as constant trips from buildings into the open air, or in refrigeration plants.

If the lift truck is used in severe or extreme operating conditions, you must shorten the maintenance intervals accordingly.

NOTICE

Since the operating environment of lift trucks varies widely, the above descriptions are highly generalized and should be applied as actual conditions dictate.

The maintenance time intervals referred to in this manual relate to truck operating hours as recorded on the hourmeter, and are based on experience CLARK has found to be convenient and suitable under typical (normal or average) operating conditions. The periods and their designations are:

PM Interval:

- A = 8 - 10 hours or daily
- B = 50 - 250 hours or every month (typical PM interval)
- C = 450 - 500 hours or every 3 months
- D = 900 - 1000 hours or every 6 months
- E = 2000 hours or every year

PERIODIC CHECKS AND PLANNED MAINTENANCE (PM)	A	B	C	D	E
Check truck visually and inspect components.		*			
Test drive truck -- Check functional performance.		*			
Air clean truck and radiator.		*			
Check torque on critical fasteners.		*			
Lubricate truck. (See component)		*			
Drain and replace engine oil.		*			
Replace gas engine oil filter.			*		
Replace diesel engine oil filter.		*			
Clean / replace engine air filter. (*)					*
Change diesel fuel filter (***)		*			
Inspect / adjust fan belts.			*		
Drain / flush radiator coolant.					*
Check engine ignition and timing.			*		
Engine tune-up.					*
Check battery.			*		
Check transaxle fluid level.					*
Change transaxle fluid. (drain and replace)					*
Change (replace) transaxle oil filter.		*			
Clean drive axle air vent.					*
Check brake condition and wear.					*
Check drive axle mounting and fasteners.				*	
Lubricate steer axle linkage.		*			
Check / lubricate steer axle wheel bearings.					*
Change / replace hydraulic sump oil filter and breather (**)			*		
Change / replace hydraulic sump fluid and oil filter (**)					*
Lubricate tilt cylinder rod ends.		*			
Check lift chain adjustment and wear.		*			
Check / lubricate lift chains.		*			
Lubricate upright rollers.		*			

NOTES:

- * Air filter change interval may be determined by using an air restriction indicator.
- ** Hydraulic filter change interval may be determined by hydraulic filter restriction indicator.
- *** Diesel fuel filter change interval may be determined by fuel filter restriction indicator.

DAILY MAINTENANCE CHECKS	A	B	C	D	E
Check truck for obvious damage and leaks.	•				
Check fuel system for leaks, etc.	•				
Check capacity, warning plates and decals.	•				
Check condition of tires and wheels. Remove embedded objects. Check air pressure.	•				
Check for missing or loose wheel lug nuts.	•				
Check engine oil level.	•				
Check engine coolant level (radiator & recovery tank)	•				
Check fuel level.	•				
Check hydraulic sump oil level.	•				
Check gauges and instruments.	•				
Check warning lights and hourmeter.	•				
Check overhead guard condition and bolts.	•				
Check horn operation and other warning devices.	•				
Check steering operation.	•				
Check service brake operation.	•				
Check parking brake operation.	•				
Check parking brake linkage for damage, broken parts.	•				
Check directional and speed controls operation.	•				
Check accelerator and engine speed operation.	•				
Check lift, tilt and aux operation.	•				
Check upright, lift chains and fasteners.	•				
Check carriage or attachments and forks.	•				
Check seat deck holdown latch for correct locking.	•				
Check optional safety equipment. (Alarms, Lights etc.)	•				

PM Report Form

Make and keep records of your PM inspections. Use these records to help establish the correct PM intervals for the truck application and to indicate maintenance required to prevent major problems from occurring during operation.

As an aid in performing and documenting your PM inspections, CLARK has prepared a **Gas, LPG, or Diesel Planned Maintenance Report Form**. Copies of this form may be obtained from your authorized CLARK dealer. We recommend that you use this form as a checklist and record of your inspection and truck condition.

The maintenance procedures outlined in this Section are intended to be used in conjunction with the PM Report Form. They are arranged in a logical and efficient sequence.

You make a check mark or entry on the PM Report Form when the PM is performed. A special coding system for indicating the importance of needed repairs and/or adjustments appears on the form.

When you have finished the PM inspections, be sure to give a copy of the report to the designated authority or person responsible for lift truck maintenance.

Do not make repairs or adjustments unless authorized to do so.



CAUTION

For safety, it is good practice to:

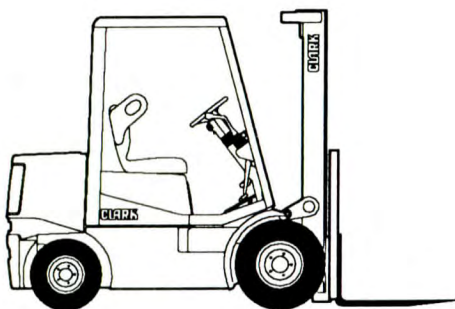
- Remove all jewelry (watch, rings, bracelets, etc.) before working on the truck.
- Disconnect the battery ground cable (-) from the battery before working on electrical components.
- Always wear safety glasses. Wear a safety (hard) hat in industrial plants and in special work areas where protection is necessary and required.

How to Perform Planned Maintenance

Visual Inspection

First, perform a visual inspection of the lift truck and its components. Walk around the truck and take note of any obvious damage or maintenance problems.

Check to be sure all capacity, safety, and warning plates are attached and legible.



NOTICE

NAMEPLATES AND DECALS: Do not operate a lift truck with damaged or lost decals and nameplates. Replace them immediately. They contain important information.

Inspect the truck, before and after starting the engine, for any sign of external leakage of fuel, engine coolant, transmission fluid, etc.

Check for hydraulic oil leaks and loose fittings.



CAUTION

HYDRAULIC FLUID PRESSURE: Do not use your hands to check for hydraulic leakage. Fluid under pressure can penetrate your skin and cause serious injury.

Overhead Guard

Be sure that the driver's overhead guard and any safety devices are in place, undamaged, and attached securely. Check the overhead guard for damage. Be sure that it is properly positioned, all mounting fasteners are in place and tight and all structural members are not bent or cracked.



Load Handling Components

Inspect the upright assembly, load backrest (LBR), rails, carriage rollers, lift chains, and lift and tilt cylinders. Look for obvious wear and maintenance problems and damaged or missing parts. Check for any loose parts or fittings. Check for leaks, damaged or loose rollers, and rail wear (metal flaking). Carefully check the lift chains for wear, rust, corrosion, cracked or broken links, stretching, etc. Check that the lift and carriage chains are correctly adjusted to have equal tension. Check that the lift chain anchor fasteners and locking means are in place and tight. Inspect all lift line hydraulic connections for leaks.

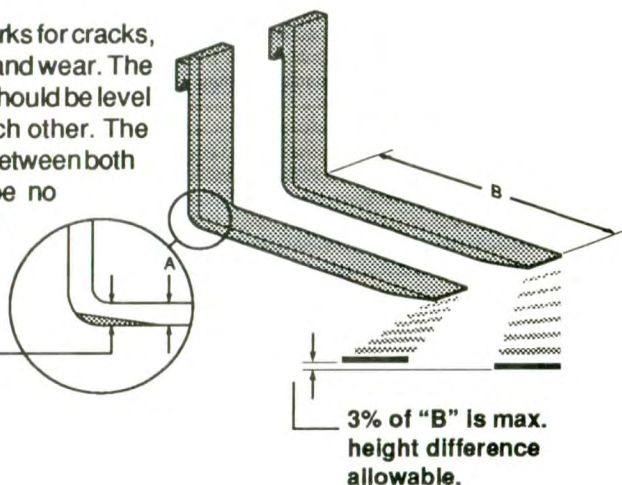
IMPORTANT

Uprights and lift chains require special attention and maintenance to remain in safe operating condition. Refer to "Lift Chain Maintenance" in this Section for additional information.

Forks

Inspect the load forks for cracks, breaks, bending, and wear. The fork top surfaces should be level and even with each other. The height difference between both fork tips should be no more than 3% of the fork length.

10% of "A" is max. wear allowed

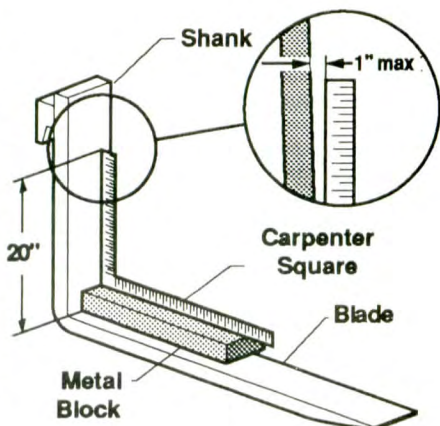


WARNING

If the fork blade at the heel is worn down by more than 10%, the load capacity is reduced and the fork must be replaced.

Inspect the forks for twists and bends. Put a 2"-thick metal block, at least 4" wide by 24" long with parallel sides, on the blade of the fork with the 4" surface against the blade. Put a 24" carpenter's square on the top of the block and against the shank. Check the fork 20" above the blade to make sure it is not bent more than 1" maximum.

If the fork blades are obviously bent or damaged, have them inspected by a trained maintenance person before operating the truck.

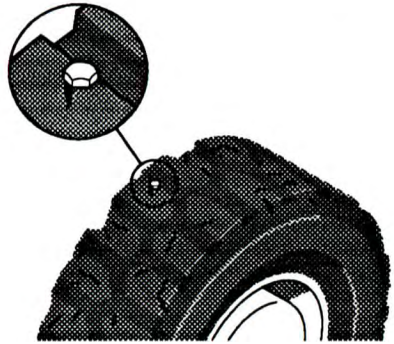


Inspect the fork locking pins for cracks or damage. Reinsert them and note whether they fit properly.

Wheels and Tires

Check the condition of the drive and steer wheels and tires. Remove objects that are embedded in the tread. Inspect the tires for excessive wear and breaks or "chunking out."

Check all wheel lug nuts or bolts to be sure none are loose or missing. Replace missing bolts or lug nuts. Torque loose or replaced items to specifications. See SM598 Group 22 Section 3



WARNING

Check tire pressure from a position facing the tread of the tire, not from the side. Use a long-handled gauge to keep your body away from the side. If tires are low, do not operate and do not add air. Check with a mechanic. The tire may require removal and repair. Incorrect (low) tire pressure can reduce the stability of your lift truck. Do not operate truck with low tire pressure. Proper cold inflation is 100 psi.

Functional Tests

You will start the engine to complete the functional tests, so be sure that:

- The parking brake is applied.
- Directional control is in NEUTRAL.
- Forks are fully lowered to the floor or ground
- All controls are in neutral or other correct position
- You are familiar with the safety procedures given in Section 5, "Starting and Operating Procedures," in this manual.

As you test the following components, be sure they are properly mounted and working correctly.

Horn

Press the horn button to check horn function. If the horn or any other part does not operate, report the failure and have it repaired before the truck is put into operation.

Neutral Start Switch

Check the operation of the neutral start switch by placing the direction control lever in FORWARD or REVERSE and turning the key switch to START position. The starter must only engage when the direction control lever is in the NEUTRAL position.

Hour Meter

Start the engine and let it warm up until it runs evenly and accelerates smoothly when you push on the accelerator pedal. Check the hour meter for operation with the engine running. **Write the hour meter reading on the PM report form.** Report any malfunction or damage.

Indicator Lights

Check that all lights are functioning and indicate normal truck operation as described in Section 3, "Know Your Truck," in this manual.

Service Brakes and Inching Pedal

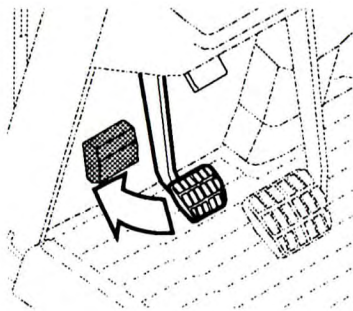
With the direction control in NEUTRAL and the engine running, push the service brake pedal fully down and hold. The brakes should apply before the pedal reaches the floorplate. If the pedal continues to creep downward, report the failure immediately. **Do not operate the truck until the brakes are repaired.** Perform the same check with the inching pedal. (Additional braking/inching checks will follow.)

Parking Brake

Check the function of the parking brake. Release, then reapply. To check parking brake holding capability, park the lift truck on a grade and apply the parking brake. The parking brake should hold a lift truck with rated load on a 15% grade.

**CAUTION**

Do not operate a lift truck if the service or parking brakes are not operating properly.

**Lift Mechanisms and Controls**

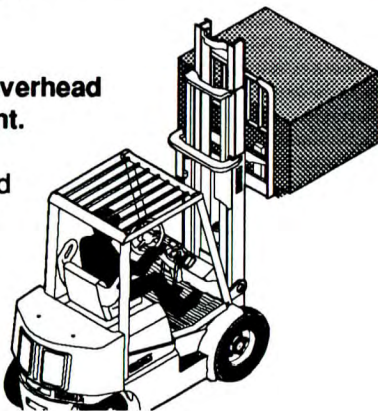
Pull back on the tilt control lever and hold until the upright reaches the full back tilt position. Push forward on the lever to return the upright to the vertical position. Release the lever.

**CAUTION**

Be sure that there is adequate overhead clearance before raising the upright.

Pull back on the lift control lever and raise the fork carriage to full height. Watch the upright assembly as it rises. Release the lever.

If the maximum fork height is not reached, this indicates oil level in the hydraulic sump tank or severe binding within the upright.



Push forward on the lift control lever. Watch the upright as it lowers. When the forks reach the floor, release the lever.

All movements of the upright, fork carriage, and lift chains must be even and smooth, without binding or jerking. Watch for chain wobble or looseness; the chains should have equal tension and move smoothly without noticeable wobble.

Auxiliary Controls (Option)

If your lift truck is equipped with an attachment, test the control lever for correct function and briefly operate the attachment.

Steering System

NOTICE

The steering system, steer axle, and steering linkage on your truck should be inspected periodically for abnormal looseness and damage, leaking seals, etc. Also, be alert for any changes in steering action. Hard steering, excessive freeplay (looseness), or unusual sound when turning or maneuvering indicates a need for inspection or servicing.

Check the steering system by moving the steering handwheel in a full right turn and then in a full left turn. Return the handwheel to the straight-ahead position. The steering system components should operate smoothly when the handwheel is turned. **Never operate a truck that has a steering system fault.**



WARNING

Fasten your seat belt before driving the truck.

Direction Control, Braking, and Inching

Be sure that the travel area is clear in front of the truck.

1. Push firmly on the brake pedal. Release the parking brake. Place the direction control (pedal, lever) in FORWARD.
2. Push down until the truck moves slowly forward. Remove your foot from the direction or ground speed pedal, the truck will stop. On grades, ramps and inclines it may be necessary to use the brake pedal to stop and hold the truck.

Be sure the travel area is clear behind the truck.

3. Put the directional control in the REVERSE travel position. Release the service brake and push down on the accelerator pedal until the truck moves slowly in the reverse direction. Remove your foot from the accelerator pedal and push down on the service brake pedal to stop the truck. The brakes should apply smoothly and equally.

4. Put the directional control in FORWARD. Press the inching pedal fully down and hold. Depress the accelerator. The truck should not move. Now, with the accelerator still depressed, slowly release the inching pedal until the truck "inches" forward smoothly and slowly.
5. Shut off engine and safely park.

Report any problems.

When you have completed the operational tests, park and leave the truck according to standard shut down procedure as described in Section 5 of this manual. Be sure to make a record of all maintenance and operating problems you find.

Fluids, Filters, and Engine Accessories

To check fluid levels and other components within the engine compartment, unlatch and open the hood to access the engine compartment.



CAUTION

To avoid the possibility of personal injury, never work in the engine compartment with the engine running, except when it is absolutely necessary to check or make adjustments. Take extreme care to keep hands, tools, loose clothing, etc., away from fan and drive belts. Also remove watches, bracelets, and rings.

Engine Accessories

Inspect the engine coolant hoses and fan belt(s). Look for leaking and obvious damage, worn (frayed) condition, breaks, etc. that could cause failure during operation.

Engine Air Cleaner

Check the engine air cleaner for damage and contamination (excessive dirt buildup and clogging). Be sure that the air cleaner hose is securely connected (not loose or leaking). Fan or cone shaped dust deposits on tube or hose surfaces indicate a leak.

Change or service the air cleaner element every 2000 operating hours, or per indicator whichever comes first.

Battery

Inspect the battery for damage, cracks, leaking condition, etc. If the terminals are corroded, clean and protect them with CLARK Battery Saver (available from your CLARK dealer). If your battery has removable cell caps, check to be sure the cells are all filled. Refill them with distilled water.

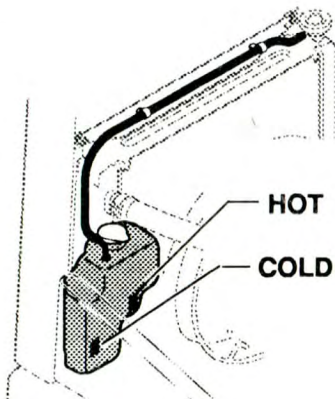


WARNING

EXPLOSIVE GASES: Do not smoke or have open flames or sparks near batteries. An explosion can cause injury or death.

Engine Cooling System

To check engine coolant level open the hood to the engine compartment. Visually inspect the recovery bottle, locate the "HOT" and "COLD" marks. When at operating temperature the level must be within the "HOT" window. When cold the level must be within the "COLD" window.



IMPORTANT

Inspect the coolant level in the overflow bottle only.



WARNING

DO NOT remove the radiator cap when the radiator is hot. **STEAM** from the radiator will cause severe burns. **DO NOT** remove the radiator cap to check the coolant level.



WARNING

Never remove the radiator cap while the engine is running. Stop the engine and wait until it has cooled. Failure to do so could result in serious personal injury from hot coolant or steam blowout and/or damage to the cooling system or engine.

If the level is low, add a 50/50 mixture of specified coolant and water to the correct fill level. If you have to add coolant more than once a month or if you have to add more than one quart at a time, check the coolant system for leaks.

- Check engine oil for presence of coolant leaking into engine.
- Inspect the coolant for condition. Look for excessive contamination or rust or oil in the coolant solution.
- Check the PM time interval for need to change coolant.
- Check the condition of radiator cap rubber seal and radiator filler neck for damage. Be sure they are clean.
- Check overflow hose for clogging or damage.

NOTICE

Your lift truck cooling system is filled with a factory-installed solution of 50% water and 50% permanent-type antifreeze containing rust and corrosion inhibitors. You should leave the solution in year around. Plain water may be used in an emergency, but replace it with the specified coolant as soon as possible to avoid damage to the system. Do not use alcohol or methanol antifreeze.

Engine Oil and Filter

Locate the engine oil dipstick. Pull the dipstick out, wipe it with a clean wiper, and reinsert it fully into the dipstick tube. Remove the dipstick and check oil level. Shut off, wait 5 minutes. Check with engine at operating temperature

It is normal to add some oil between oil changes. Keep the oil level above the ADD mark on the dipstick by adding oil as required. **Do not overfill.** Use the correct oil as specified under Lubricant Specifications.

It is recommended to:

- Drain and replace the engine crankcase oil every 50 to 250 operating hours. (depending on application).
- Replace the gas engine oil filter every 500 hrs., diesel engine every 250 hrs.
- Remove the oil pan drain plug to drain old oil after the truck has been in operation and the engine (oil) is at operating temperature.



WARNING

Engine oil at operating temperature is hot and can cause burns. Beware of splashing oil.

- Carefully check for leaks after changing oil and installing new filter.

NOTICE

The time interval for changing engine oil depends upon your application and operating conditions. To determine the correct schedule for your truck, it is suggested that you periodically submit engine oil samples to a commercial laboratory for analysis of the condition of the oil.

OIL PERFORMANCE DESIGNATION: To help achieve proper engine performance and durability, use only engine lubricating oils of the proper quality. For gas and diesel engines, CLARK recommends that you use motor oil that meets API Service Classification CD, CC/SG, SF and API CF-4 SAE 15W-40, gas engines can also use API SD SAE 10W-30 oil or better.

Hydraulic Sump Tank

Check the hydraulic sump tank fluid level. Correct fluid level is important for proper system operation. Low fluid level can cause pump damage. Overfilling can cause loss of fluid or lift system malfunction.

Hydraulic fluid expands as its temperature rises. Therefore, it is preferable to check the fluid level at operating temperature (after approximately 30 minutes of truck operation). To check the fluid level, first park the truck on a level surface and apply the parking brake. Put the upright in a vertical position and lower the fork carriage fully down. Pull the dipstick out, (attached to the sump breather) wipe it with a clean wiper, and reinsert it. Remove dipstick and check oil level. Keep the oil level above the LOW mark on the dipstick by adding recommended hydraulic fluid only, as required. **Do not overfill.**

Check the condition of the hydraulic fluid (age, color or clarity, contamination). Change (replace) the oil as necessary.

Hydraulic Fluid and Filter Change

Drain and replace the hydraulic sump fluid every 2000 operating hours. (Severe service or adverse conditions may require more frequent fluid change). Replace the hydraulic oil filter elements at every oil change. Remove, clean, and reinstall the hydraulic and steer system suction line screens at first PM and every 500 hours thereafter. Check for leaks after installation of the filters. Also, check that the hydraulic line connections at the filter adapter are tightened correctly. The procedure for draining hydraulic sump tank is in your Service Manual.

Sump Tank Breather Maintenance and Inspection

Remove the sump tank fill cap/breather and inspect for excessive (obvious) contamination and damage. Replace the fill cap/breather, per recommended PM schedule or as required by operating conditions.

Lubrication**Truck Chassis Inspection and Lubrication**

Lubrication and inspection of truck chassis components, including steer wheels, steer axle linkage, steering cylinder, and wheel bearings are easier if the truck is raised and blocked up under the frame. Refer to your Service Manual for additional information on machine blocking and jacking. Also refer to your Service Manual for the location of grease fittings.

**WARNING**

Do not raise the truck by lifting under the counterweight.

Inspect the steering cylinder piston rods, seals, and fasteners for damage, leaks, and looseness. Lubricate the steer axle linkage rod ends and linkage pivot points. Be sure to clean the grease fittings before lubricating, and remove the excess grease from all points after lubricating. Lubricate miscellaneous linkage as needed.

Upright and Tilt Cylinder Lubrication

Clean the grease fittings and lubricate both the tilt cylinder rod end and base end bushings.

Lift Chains

Lubricate the entire length of the upright rail lift and carriage chains with CLARK Chain and Cable Lube.

IMPORTANT

Do not lubricate the carriage roller rails.

Air Cleaning

Always maintain a lift truck in a clean condition. Do not allow dirt, dust, lint, or other contaminants to accumulate on the truck. Keep the truck free from leaking oil and grease. Wipe up all oil spills. Keep the controls and floorboards clean, dry, and safe. A clean truck makes it easier to see leakage and loose, missing, or damaged parts, and helps prevent fires.

A clean truck runs cooler. The environment in which a lift truck operates determines how often and to what extent cleaning is necessary.

For example, trucks operating in manufacturing plants that have a high level of dirt, dust, or lint (for example, cotton fibers or paper dust) in the air or on the floor or ground, require more frequent cleaning. The radiator especially may require daily air cleaning to ensure correct cooling. If air pressure does not remove heavy deposits of grease, oil, etc., it may be necessary to use steam or liquid spray cleaner.

IMPORTANT

Lift trucks should be air cleaned at every PM interval, or more often if necessary.

Use an air hose with special adapter or extension, a control valve, and a nozzle to direct the air properly. Use clean, dry, low pressure, compressed air. Restrict air pressure to 30 psi (207 kPa), maximum. (OSHA requirement.)



CAUTION

Wear suitable eye protection and protective clothing when air cleaning. Never point the air nozzle at anyone.

Air clean the upright assembly, drive axle, radiator—from both counterweight and engine side, engine and accessories, driveline and related components, and steer axle and cylinder.

Critical Fastener Torque Checks

Fasteners in highly loaded (critical) components can quickly fail if they become loosened. Also, loose fasteners can cause damage or failure of the component. For safety, it is important that the correct torque be maintained on all critical fasteners of components that directly support, handle, or control the load and protect the operator.

Critical items include:

- Drive axle mounting
- Drive and steer wheel mounting
- Counterweight mounting
- Overhead guard
- Tilt cylinder mounting and yokes
- Upright mounting and components

Torque specifications are in your Service Manual.

Lift Chain Maintenance

The chain system on the upright was designed for safe, efficient, and reliable transmission of lifting force from hydraulic cylinder to the forks. Safe use of your truck with minimum down-time depends on the correct care and maintenance of the lift chains. Most complaints of unacceptable chain performance are a result of poor maintenance. Chains need periodic maintenance to give maximum service life.



WARNING

Do not attempt to repair a worn chain. Replace worn or damaged chains. Do not piece chains together.

Lift Chain Inspection and Measurement

Inspect and lubricate the lift chains every PM (50-250 hours). When operating in corrosive environments, inspect the chains every 50 hours. During the inspection, check for the following conditions:

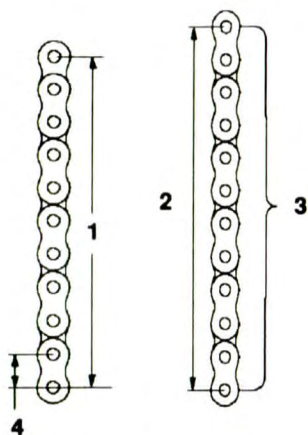
- Rust and corrosion, cracked plates, raised or turned pins, tight joints, wear, and worn pins or holes.
- When the pins or holes become worn, the chain becomes longer. When a section of chain is 3% longer than a section of new chain, the chain is worn and must be discarded.
- Chain wear can be measured by using a chain scale or a steel tape measure. When checking chain wear, be sure to measure a segment of chain that moves over a sheave. Do not repair chains by cutting out the worn section and joining in a new piece. If part of a chain is worn, replace all the chains on a truck.

Lift Chain Lubrication

Lift chain lubrication is an important part of your maintenance program. The lift chains operate under heavy loadings and function more safely and have longer life if they are regularly and correctly lubricated. CLARK chain lubricant is recommended; it is easily sprayed on and provides superior lubrication. Heavy motor oil may also be used as a lubricant and corrosion inhibitor.

Lift Chain Wear and Replacement Criteria:

- 1 (NEW CHAIN LENGTH) The distance from the first pin counted to the last pin counted in a span while the chains are lifting a small load.
- 2 (WORN CHAIN LENGTH) The distance from the first pin counted to the last pin counted in a span while the chains are lifting a small load.
- 3 (SPAN) The number of pins in the length (segment) of chain to be measured.
- 4 (PITCH) The distance from the center of one pin to the center of the next pin.



All chains must be replaced if any link has wear of 3% or more, or if any of the damaged conditions noted above are found during inspection. Order replacement chains from your CLARK dealer. Replace all chains as a set. Do not remove factory lubrication or paint new chains. Replace anchor pins and worn or broken anchors when installing new chains. Adjust tension on new chains. Lubricate chains when they are installed on the upright.

NOTICE

Please refer to your Service Manual for additional information on lift chain measurement and maintenance.

Specifications

Clark products and specifications are subject to improvements and changes without notice or obligation

Model Designation — Rated Load Capacity

CGC/CGP/CDP 20(H) -4,000 lbs @ 24in load center [2000 kg] @ [500mm]

CGC/CGP/CDP 25(H) -5,000 lbs @ 24in load center [2500 kg] @ [500mm]

CGC/CGP/CDP 30(H) -6,000 lbs @ 24in load center [3000 kg] @ [500mm]

Note: Rated capacity applies when using uprights with maximum MFH up to and including: 152 Inches [3861mm]

Engine	Diesel	Gas	LPG/CNG
Model Mitsubishi:	S4S	4G64	4G64
Cylinders:	4	4	4
Displacement			
<i>cubic inches:</i>	201	146	146
<i>liters:</i>	3.3	2.4	2.4
Idle RPM:	650-700	650-700	650-700
Governed RPM			
No load @ high idle:	2600	2600	2600
Full load:	2220	1850	1850

Cooling System

Automotive type crossflow radiator.

Cooling system pressure (radiator cap): 90 kPa nominal, 13psi

Thermostat: Diesel, 85°C (185°F), fully open 98°C (208°F),

Gas/CNG/LPG 83°C (182°F), fully open 96°C (205°F)

Hydrostatic Pump

Sauer-Sundstrand Series 90 axial piston, variable displacement unit

Maximum Displacement: 75 cm³/rev (4.57 in³/rev)

Maximum Pressure: 480 bar (7,000 psi)

Rated Pressure: 420 bar (6,000 psi)

Drive Ratio: 1 : 1

Drive Axle

Drive axle constructed with integral Rexroth radial piston hydraulic motors and hydraulic shoe brakes.

Motor Displacement: 2 X 565 cm³/rev (2 X 34.5 in³/rev)

Maximum Pressure: 450 bar (6,500 psi)

Rated Pressure: 420 bar (6,000 psi)

Drive Ratio: 1 : 1

Wheels and Tires for Pneumatic Truck

<i>Drive</i>	CGP/CDP 20/25H	Single: 7.00 X 12,	14-ply rating
<i>Tires:</i>		Dual: 7.00 X 12,	14-ply rating
	CGP/CDP 30H	Single: 28 X 9 X 15	14-ply rating
		Dual: 7.00 X 12,	14-ply rating
<i>Steer:</i>	CGP/CDP 20/25H	6.00 X 9,	10-ply rating
	CGP/CDP 30H	6.50 X 10	10-ply rating

Tire Pressures:

<i>Drive:</i>	CGP/CDP 20/25H	Single: 862 kPa	(125psi)
		Dual: 862 kPa	(125psi)
	CGP/CDP 30H	Single: 862 kPa	(125psi)
		Dual: 862 kPa	(125psi)
<i>Steer:</i>	CGP/CDP 20/25H	862 kPa	(125psi)
	CGP/CDP 30H		

Wheels and Tires for Cushlon Truck

	<i>Drive:</i>	<i>Steer:</i>
CGC 20-25H	21 X 7 X 15	16 X 5 X 10.5
CGC 30H	21 X 8 X 15	16 X 6 X 10.5

Standard Electrical System

Type: 12 volt DC, negative ground Fuses: 5, 15 amps

Batteries:	<i>BCI Group 45</i>	<i>BCI Group 31</i>
	Gas, LPG, CNG	Diesel
Cold cranking current amps	12 volt DC- 420 amps	12 volt DC-625
	@ 0°F total	@ 0°F total

Filters

Engine air:	Dry type—replaceable element
Engine oil:	Spin-on
Transmission:	Spin-on B10-5.0
Hydraulic system oil:	100 mesh suction screen in sump tank and filter in return line - B10=5.0

Hydraulic sump
breather cap: Replaceable element

Use genuine CLARK parts. See your CLARK dealer.

Truck Weights lbs./kg (approximate, with cutoff height upright)

	<i>Gross Vehicle Weight</i>	<i>Empty Vehicle Weight</i>	<i>Loaded Drive Axle</i>	<i>Empty Drive Axle</i>
CGC 20H	11385 [5165]	7385 [3350]	9875 [4480]	3000 [1360]
CGC 25H	13230 [6000]	8230 [3733]	11360 [5152]	2770 [1256]
CGC 30H	15120 [6860]	9120 [4136]	12930 [5865]	2625 [1190]
CGP 20H	11422 [5181]	7422 [3366]	10133 [4600]	3500 [1590]
CGP 25H	13270 [6020]	8270 [3751]	11630 [5275]	3342 [1515]
CGP 30H	15070 [6836]	9068 [4115]	13215 [5995]	3270 [1490]
CDP 20H	11642 [5280]	7640 [3465]	10155 [4605]	3590 [1630]
CDP 25H	13490 [6120]	8490 [3850]	11710 [5310]	3430 [1555]
CDP 30H	15290 [6985]	9290 [4214]	13295 [6030]	3355 [1522]

Fuel Recommendations

Diesel: D-2 with cetane rating of 45 or higher. D-1 and Jet A-1 also acceptable.

Gasoline: 87 octane minimum

LPG: HD-5 propane

Fill Capacities (fluid volumes)

Fuel tank:		12 US gallons;	45.4 liters
Cooling system:	CGC	6.3 quarts;	6 liters
	CGP	8 quarts;	7.5 liters
	CDP	10.6 quarts;	10 liters
Engine oil, w/filter (diesel):		10.6 quarts;	10 liters
Engine oil, w/filter (gas):		4.5 quarts	4.3 liters
Hyd Sump: (Usable Volume)	CGC	5.1 US gallons;	19.3 liters
	CGP	7.3 US gallons;	27.6 liters

Engine Coolant Recommendation

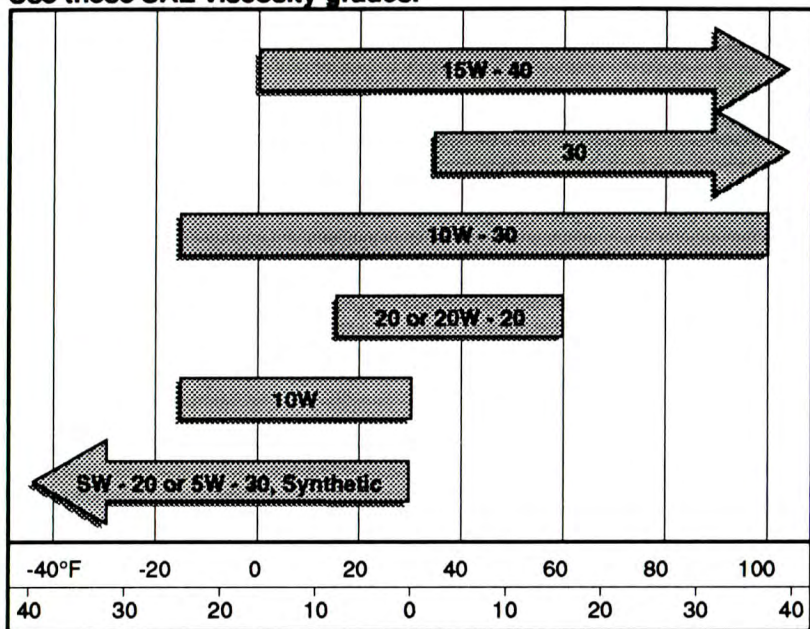
Use a mixture of 50% ethylene glycol permanent-type antifreeze containing rust and corrosion inhibitors only. **Note:** This mixture provides antifreeze protection level of -37°C (-34°F), approximately.

Hydraulic Fluid Recommendation

Use CLARK Specification MS-68 Hydraulic Oil, with anti-wear additives, or equivalent, only.

Engine Oil

Use these SAE viscosity grades.



Temperature Range You Expect Before Next Oil Change

Engine Oil Recommendations

American Petroleum Institute (API) classifications CD, CC/SG, SF and API CF-4 SAE 15W-40, gas engines can also use API SD SAE 10W-30 oil or better.

IMPORTANT

Do not extend oil change intervals from those specified when using synthetic lubricants.

Fill crankcase with correct amount of oil. When adding oil between oil changes, it is preferable to use the same brand as various oils may be incompatible. Refer to the Maintenance and Lubrication Section for recommended oil change intervals.

IMPORTANT

Do not overfill crankcase. Excess oil causes foaming and can cause loss of lubrication and higher operating temperatures, resulting in engine damage.

Index

- A**
Accelerator 5-11
Adjusting the load forks 5-14
After operating 5-20
Auxiliary control lever 3-14
- B**
Battery, jumping 6-4
Battery safety 6-4
Brakes
Parking 3-11
Service 3-14
Braking 5-10
- C**
Capacities, fill 8-3
Chain slack 2-7
CNG fuel system
Description 3-17
Emergency shut-off valve 3-17
Fuel level gauge 3-16
Fuel tank 3-16
Maintenance 4-7
Refueling 4-8
Safety warning 4-9
Component locations 7-8
Control, safety tips 5-11
Controls, layout 3-7
Coolant check 7-20
Coolant specification 8-1
- D**
Daily inspection 1-2
Dash Pod Display 3-8
Decals and safety plates 3-3
Data and capacity plate 3-4
Dual Pedal 3-3
Fan warning decal 3-6
Operator safety wrng decal 3-5
Seat belt warning 3-3
Tip-over warning decal 3-5
UnitrolPedal 3-3
Upright warning decal 3-6
Description of truck 3-2
Diesel engine, cold starting 5-7
Diesel fuel quality 8-3
Diesel fuel safety 4-5
Direction control 5-9
Direction control lever 3-13
Driver's Daily Checklist 4-2
- E**
Exhaust gases 5-6
Explosive gases 6-5
- F**
Fork safety 1-8, 7-14
Forks, adjusting 5-14
Forks and upright, positioning .. 5-8
Fuel indicator 3-9
Fuel safety practices 4-5
Fueling 4-5 to 4-9
Functional checks, by operator 4-4
Functional tests, by service personnel 7-16
- G**
Gasoline fuel safety 4-5
Grades 1-11, 5-12
- H**
Horn button 3-7, 3-12
Hour meter 3-12
Hydraulic Control Levers 3-14
Hydraulic fluid specification 8-3
Hydraulic leaks 4-2, 7-13
- I**
Inching 5-11, 5-12
Inching pedal 3-13
Inclines 1-11, 5-12
Indicator lights 3-9
- J**
Jacking and blocking 7-4
Jumper cables 6-4
- K**
Key/start switch 3-10
- L**
Lateral Tip-Over 1-12
Levers, Hydraulic 3-15
Lift control lever 3-14
Lifting speed 3-14
Load handling 5-14 to 5-19
Longitudinal Tip-Over 1-12
LPG Locator pin 3-15
Long loads 2-3
Loose loads 2-2

L (cont)**LPG fuel system**

- Blocked fuel flow 3-15
- Description 3-15
- Maintenance 4-7
- Refueling 4-6
- Safety warning 4-7

M

- Maintenance, by operator 4-2
- Maintenance, by trained personnel 7-1
- Maintenance intervals 7-9
- Maintenance safety 7-3 to 7-6
- Modifying the truck 7-6
- Moving loads 5-16

O

- Oil (engine) specifications 8-4
- Operating hazards 2-1 to 2-8
- Operating procedures . 5-1 to 5-20
- Operating tips 5-5
- Operator's compartment 3-7
- Operator's Manual, location 5-2
- Operator's position 5-11
- Out of service tag 4-4
- Overhead clearance 2-4
- Overhead guard 1-7, 5-2, 7-13

P

- Pallets 2-8
- Parking 1-15, 5-20, 6-3
- Parking brake 3-11
- Pedestrians 1-6
- Picking up loads 5-16
- Pinch points 1-7
- Planned maintenance . 7-1 to 7-28
 - Air cleaning 7-25
 - Auxiliary controls 7-18
 - Battery 7-20
 - Coolant 7-21
 - Cooling system 7-20
 - Differential fluid 7-24
 - Engine air cleaner 7-20
 - Filters 7-21
 - Fluids 7-22
 - Forks 7-14
 - Horn 7-16
 - Hour meter 7-16
 - Hydraulic filter change 7-22

- Hydraulic fluid 7-23
- Hydraulic sump tank 7-23
- Inching pedal 7-18
- Lift chain care 7-26 to 7-27
- Lift mechanisms and controls 7-17
- Lights, indicator 7-16
- Load handling components . 7-13
- Lubrication, chassis 7-24
- Lubrication, lift chains 7-26
- Lube, upright and tilt cylinder 7-24
- Neutral start switch 7-16
- Oil, engine 7-21
- Oil filter 7-21
- Overhead guard 7-13
- Parking brake 7-17
- Radiator cap 7-20
- Service brakes 7-16
- Steering system 7-18
- Sump tank breather 7-23
- Tires 7-15
- Torque checks 7-25
- Transaxle fluid 7-23
- Wheels 7-15
- PM Report Form 7-11

Publications, related

- Operator's manual 5-2
- Safety 7-7
- Service Manual vii, 7-1

R

- Ramps 1-11, 5-12
- Rear swing 2-3
- Refueling 4-5 to 4-9
- Reporting problems 4-2, 5-13
- Riders 1-5, 5-12
- Right-angle stacking 2-6

S

- Safe maintenance practices 7-3 to 7-6
- Safety inspection, daily 1-2, 4-2
- Safety messages x
- Safety plates and decals. *See* Decals and safety plates
- Safety rules .. 1-1 to 1-14, 2-1 to 2-8, 5-11
- Safety signs x
- Seat adjustment 3-11, 5-3
- Seat belts 1-4, 5-3

- Service Manual vii, 7-1
Short circuits 6-5
Shut-down procedure 5-20
Skids 2-8
Slopes 1-11
Specifications 8-1
Stability 5-9, 5-12, 5-14
Stacking 5-18
Starter, excessive cranking 5-5
Starting fluid 5-7
Starting from a safe condition .. 5-4
Starting the engine 5-7
Starting tips 5-5
Steering system 3-12
Stopping the Truck 3-14
Sump Tank 7-22
Surface, hazards 1-12
- T**
- Tilt 5-8
Tilt control lever 3-14
Tip over 1-12, 2-4
Towing 6-2
Transmission fluid specification 8-3
Travel 1-10
Traveling with a load 5-15
Two Pedal Control 3-12, 5-4
- U**
- Unitrol Pedal 3-3, 3-13, 5-4, 5-10
Unloading 5-17
- V**
- Visibility 5-11
Visual checks, by operator 4-3
Visual inspection, by service
personnel 7-12 to 7-15
- W**
- Warm-up 5-5, 5-7
Wide loads 2-3







**Additional copies of this manual may be purchased from
YOUR AUTHORIZED CLARK DEALER**

CLARK Material Handling
Company

Lexington, Ky. 40507
Printed in USA